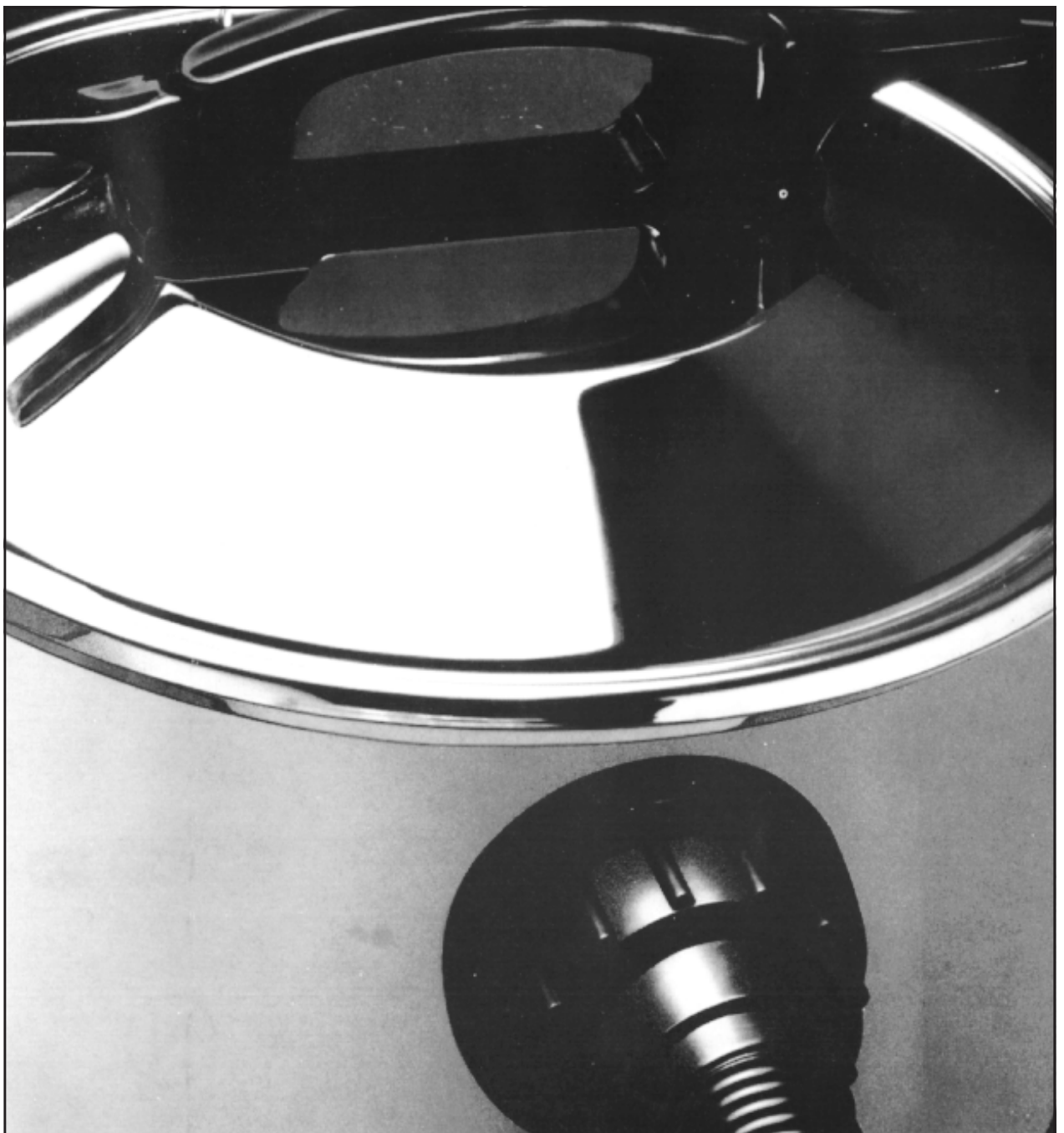


DV 160 Vacuum Range

Spare Parts Lists
Exploded View

DV 160 240V



```

*****
* Item No.   Product Code   Description                               Quantity *
*****
*      1     78000          DOME COVER PLATE BLACK                    1 *
*      1     69054B        HOSE 35/38MM 1.7 LG                      1 *
*      2     78001          SCREW 0,4 X 10 HEAD 0 8                  1 *
*      3     78002          DOME COVER BLACK                          1 *
*      4     78003          FOAM TOP 220X40                           1 *
*      5     78004          SILENT M.FIXINGRING BLACK                1 *
*      6     78005          CABLE RESTRAIN 1/2 PART CAN SI           1 *
*      7     78006          METAL RING DIAM. 30 MM. 1/2PAR           1 *
*      8     78007          CABLE RESTRAIN 1/2 PART CABLE            1 *
*      9     78008          FOAM SIDE 560 X 90 X 30                  1 *
*     10     78009          MOTOR GASKET                              2 *
*     11     78010          MOTOR 240 VOLT                            1 *
*     12     78012          MOTOR BASE PLATE BLACK                   1 *
*     13     78013          SCREW 5 X 10 (FIXING RING)               10 *
*     14     78014          MOTOR WIRE BLACK                          2 *
*     15     78015          SWITCH PANEL 1 HOLE BLACK                1 *
*     16     78016          SCREW 4 X 10                              2 *
*     17     78017          SWITCH                                    1 *
*     18     78018          SUPRESSOR RFI                             1 *
*     19     78019          TERM.POWER CONNECTOR                     1 *
*     20     78020          WIRE BLACK 1 MM2 160 MM PL/S             4 *
*     21     78021          CABLE WITH UK PLUG                       1 *
*     22     78023          GROMMET STRAIGHT                         1 *
*     23     78024          CABLE RESTRAIN                           1 *
*     24     78025          SCREW 0,4 X 14                            * 5 *
*     25     78026          NUT M5 NYLON                              4 *
*     26     78027          PROTEX CLIP (GALV.)                      2 *
*     27     78028          POP RIVET 4.8 X 12MM                     4 *
*     28     78029          CAN PREMIERE GREEN                       1 *
*     29     78030          INLET FITTING                            1 *
*     30     78031          SCREW M5 X 12                            * 1 *
*     31     78032          WHEELBASE ROUND                          1 *
*     32     78033          SOCKETS                                   5 *
*     33     78034          DOUBLE CASTORS NYLON                     5 *
*     34     56057          ONE PAPER BAG DV 160                     1 *
*     35     78035          FILTER FRAME                              1 *
*     36     78036          CLOTH FILTER MJ ELASTIC                  1 *
*     37     78037          BAYONET FITTING                          1 *
*     38     78038          HOSE CONNECTION                          1 *
*     39     78039          HOSE END                                  1 *
*     41     78041          30 DEGREE BEND 32 MM                     1 *
*     42     69186          SWIVEL P7/765 ISS 3                      1 *
*     43     69187          KCLICK RING P7/766 ISS 3                 1 *
*     44     58272          WAND PVC 32 MM X 445 ZWART               2 *
*     45     58273          COMBI FLOOR TOOL D 272 DK 32 MM         1 *
*     46     58271          SMALL SUCTION NOZZLE PDF (32MM)         1 *
*     47     58270          CREVICE NOZZLE FD (32MM)                1 *
*     48     78042          FILTER HOLDER                             1 *
*     49     78043          ADDITIONAL GRILL FILTER                  1 *
*****

```

Parts list for: 57000A DV 160 UK.PARTS LIST

Page No. 2

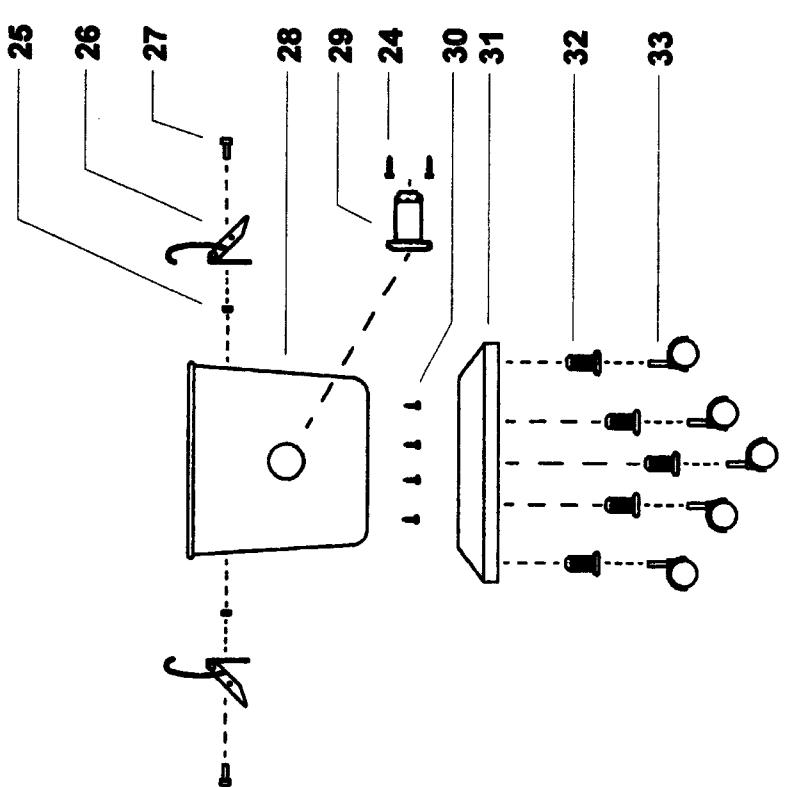
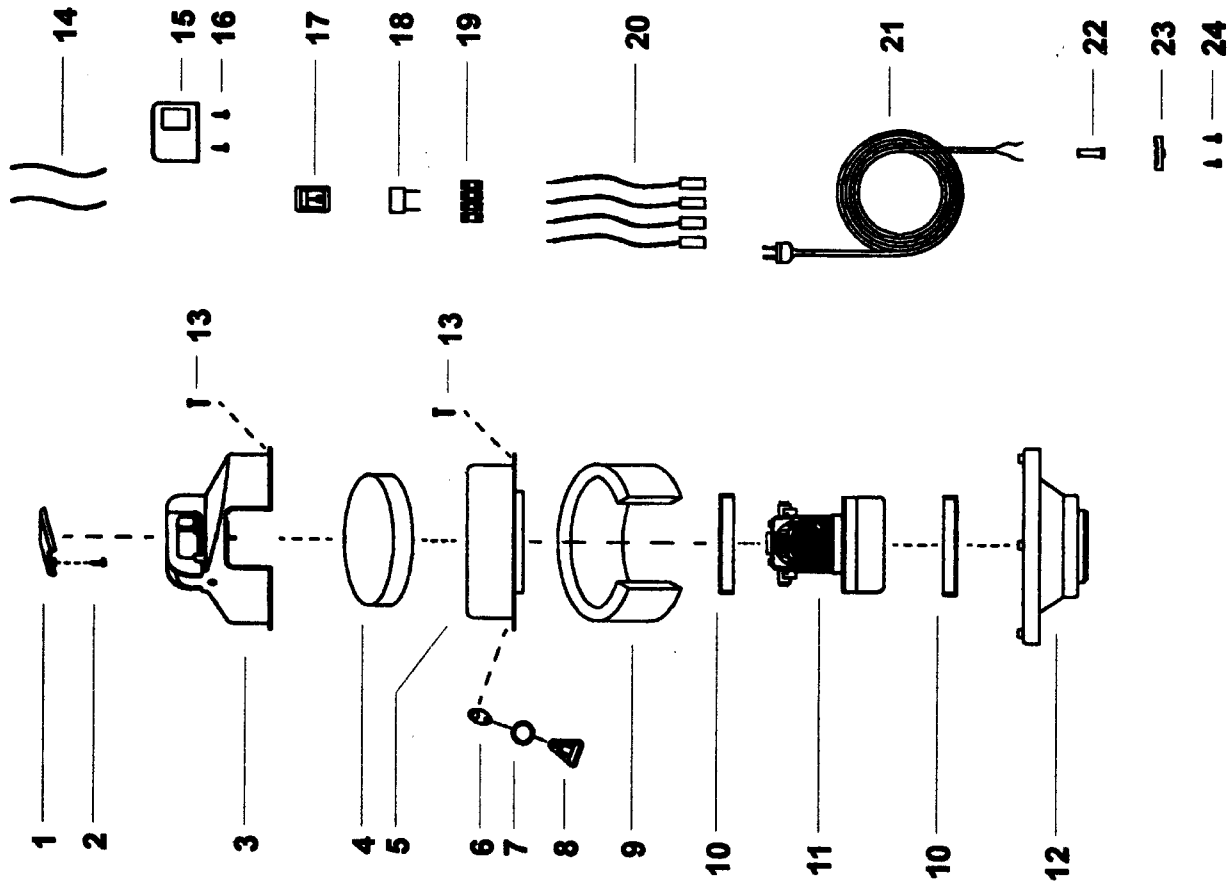
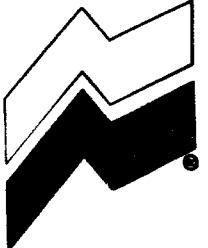
=====

```

*****
* Item No.      Product Code      Description                                     Quantity *
*****
*      801      77660              INTRO 500/302 ISS 1 11/02/98                       1 *
*      802      77686              MOD 1313 ISS 2 07/07/98                             1 *
*****

```

PARTS LIST COMPLETE.

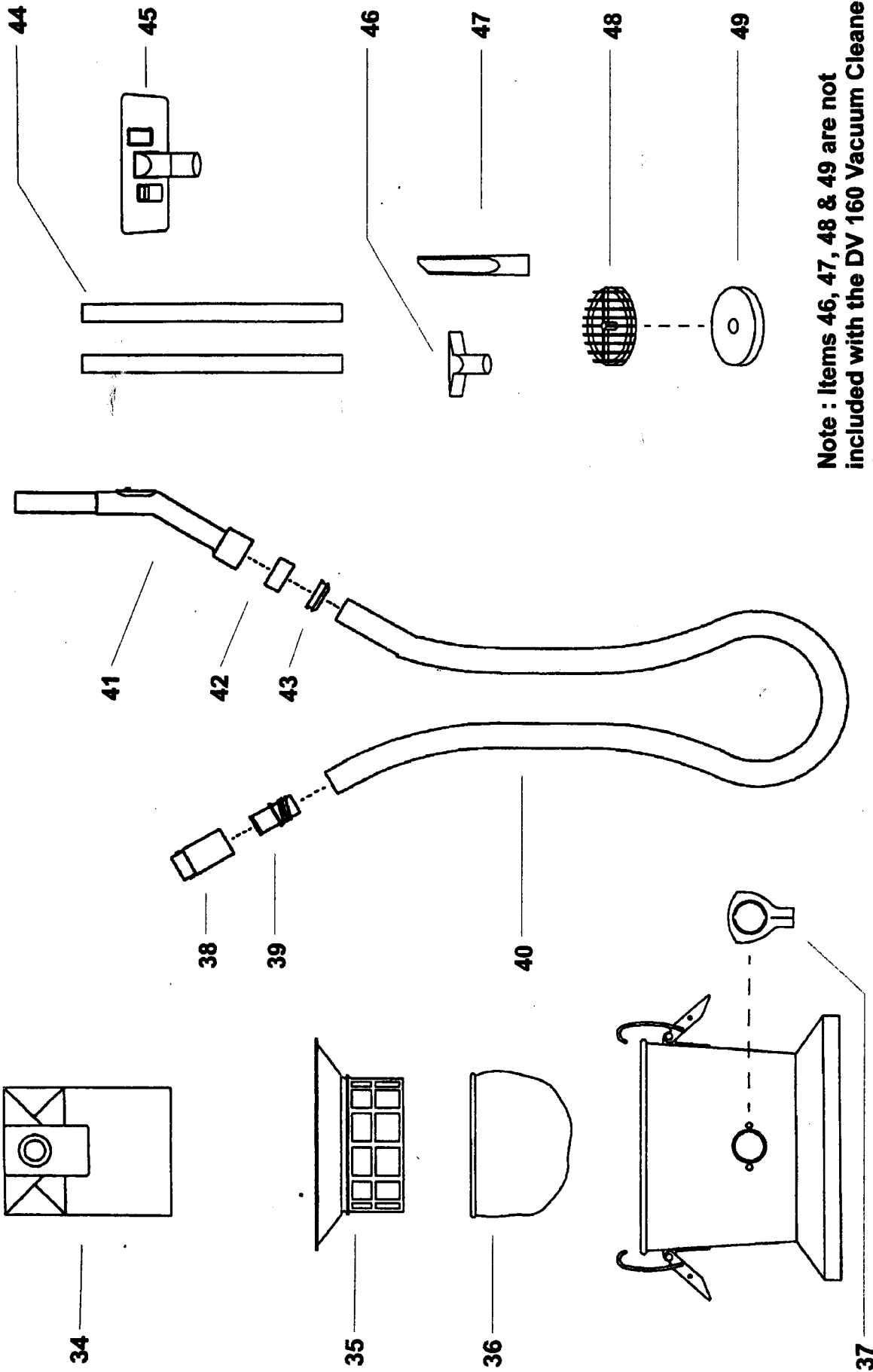



Premiere® Products
 MANUFACTURERS OF CLEANING CHEMICALS
 AND MACHINES
 Oakley Gardens, Bouncars Lane, Cheltenham, Glos. GL52 5JD.
 Telephone : (01242) 243421 Fax : (01242) 528445

Modification Record
 ISSUE 1 : INTRO 500302 (11:02:98)

DV 160
Machine Spares

Drawn JRH	Date 11:02:98	Model DV 160
Checked <i>MB</i>	Date 18.02.98	Issue No. 1
M/C Code No. 57000.57001	Exp. View No. 77140	
Schedule No. 57000A.57001A	Page 1	Of 2



Note : Items 46, 47, 48 & 49 are not included with the DV 160 Vacuum Cleaner. Contact Customer Services for details.

Premiere® Products MANUFACTURERS OF CLEANING CHEMICALS AND MACHINES Oakley Gardens, Bouncers Lane, Cheltenham, Glos. GL52 5JD. Telephone : (01242) 243421 Fax : (01242) 528445	Modification Record ISSUE 1 : INTRO' 500/302 (11:02:98)	Description <h1>DV 160 Accessories</h1>	Drawn JRH	Date/Model 11:02:98 DV 160
	Checked <i>[Signature]</i>	Date/Issue No. /8.02.98 1	M/C Code No. 57000.57001	Exp. View No. 77140
		Schedule No. 57000A.57001A	Page 2	Of 2