

Mini Vacuum Range

Spare Parts Lists

Exploded Views

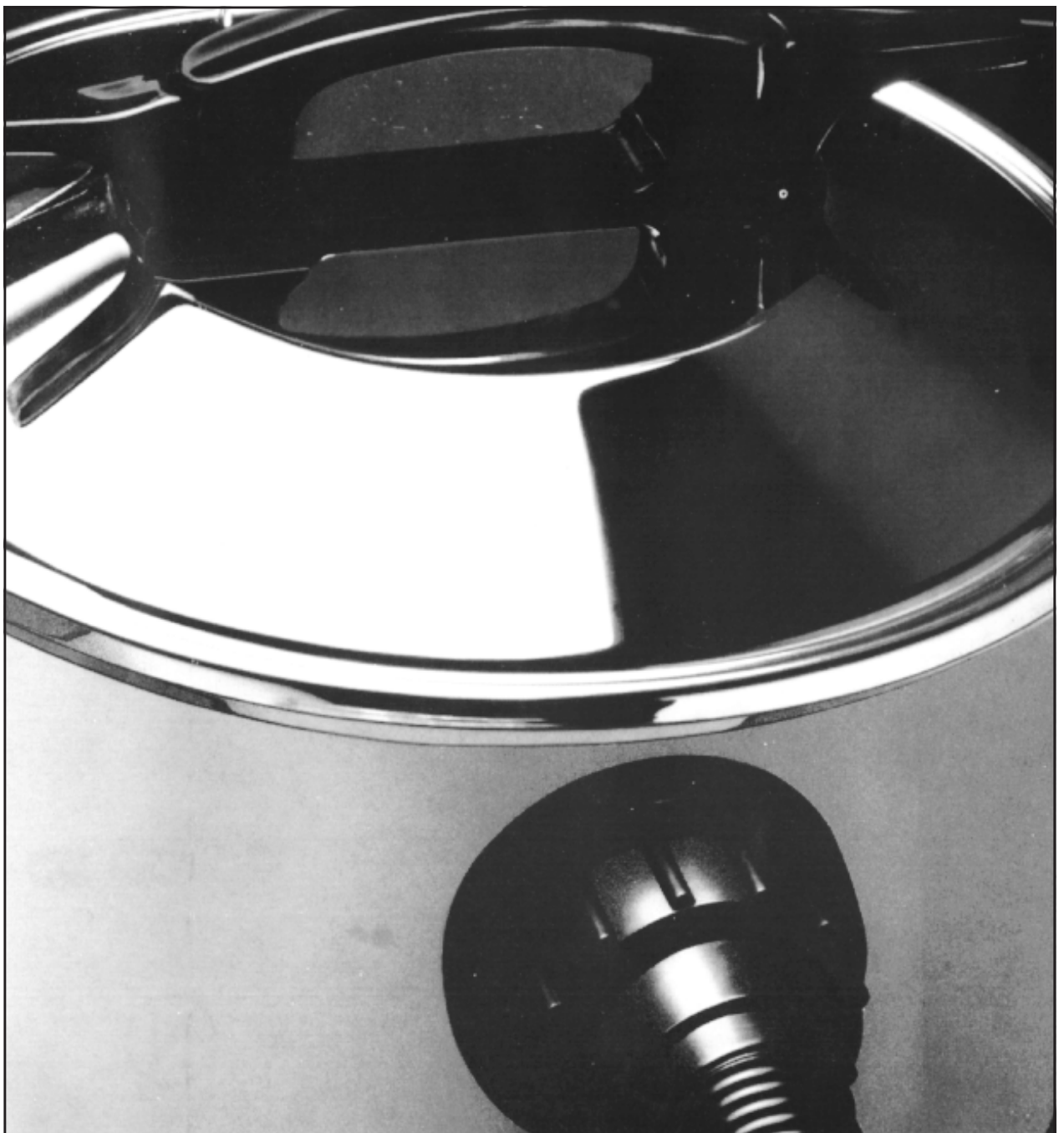
Wiring Diagram

Mini 175 240V

Mini 175 110V

Mini 175 PH 240V

Mini 175 E 240V



```

*****
* Item No.   Product Code   Description                               Quantity *
*****
*      1     69206A         SNAP CAP (CAP) BLK                          1 *
*      2     69200         HANDLE 7/673 ISS. 4          MINI      1 *
*      2     69206B         UNICAP WASHER WHITE                          1 *
*      3     69198         CABLE REST: LEVER 7/675 ISS 4 MINI          2 *
*      4     69197         BASE HANDLE 7/674 MINI          1 *
*      5     65041         BALL STAINLESS 1/4DIA          2 *
*      7     65038         COMP SPRING 6/686 ISS 1          2 *
*      8     68012         LID.7/601 ISS 9 MINI            1 *
*      9     71008         2BA SHAKEPROOF WASHER INTERNAL TEETH        6 *
*     10     71388         SCREW POZI M/HEAD M5X10 BZP          2 *
*     11     69085         FILTER BAG.7/652 ISS 6 MINI          1 *
*     12     68016         GUARD DISC ASSY GRN.7/648 ISS 2 MINI        1 *
*     13     68017         MESH RING.7/609 ISS 4 MINI          1 *
*     15     68013         TOP CONTAINER.7/602 ISS 16 MINI          1 *
*     16     71364         10 X 3/4 POZI PAN HD S/TAP SCRW AB ZINC/    4 *
*     17     69027         MOTOR SUPPORT RING 7/646 ISS 3 MINI          1 *
*     18     69018         MOTOR MTG BAR 2/690 ISS 4 MINI          4 *
*     19     70012         MOTOR 230V                                1 *
*     20     69027         MOTOR SUPPORT RING 7/646 ISS 3 MINI          1 *
*     21     68010         MOTOR LOCN DISC.7/689 ISS 1 MINI          1 *
*     22     70051         CORDSET 2X1MMX10MLG 3PIN MINI          1 *
*     23     69038         CABLE GRIP 2X1MM 7/649 ISS 5          1 *
*     24     65039         SPRING CABLE REST: 7/677 ISS 4          1 *
*     25     70001         CABLE TRICLAMP TK2                1 *
*     26     70079         GROMMET MINI                          1 *
*     27     71403         6 X 1 POZI PAN S/TAP SCRW AB ZINC CLR -    1 *
*     28     66016         PLUG BLACK                              1 *
*     30     72065         RATING LABEL(MINI 175) BSI 7/639 ISS 10    1 *
*     34     68014         MOTOR BELL HSG.7/603 ISS 14 MINI          1 *
*     35     69031         BUMPER RING MINI 7/715 ISS 3          1 *
*     36     71010         5/16 SHAKEPROOF WASHER INTERNAL TEETH        5 *
*     37     71011         M8 X 50 HEX BOLT BS3692/DIN931 GR 8.8      4 *
*     38     69119         INS DISC LARGE HOLE 7/660 ISS 11 MINI          1 *
*     39     69116         FOAM INSULATION 7/783 (20MM PAD)          1 *
*     40     69028         RUBBER CAP 7/653 ISS 2 MINI            1 *
*     41     69118         INS DISC SMALL HOLE 7/661 ISS 10 MINI          1 *
*     42     71012         M8 GRD 8 NYLON INSERT SELF LOCK NUT DIN9    4 *
*     43     68011         WASHER 16SWG 2/691 ISS 5 ALL           4 *
*     44     68015         BASE.7/604 ISS 12 MINI              1 *
*     45     68009         WASHER 10SWG 2/686 ISS 5 MINI          4 *
*     46     68005         CASTOR 2/624 MINI                    4 *
*     47     71287         M4 X 10 STEEL POZI PAN SCREW ZINC & CLEA    4 *
*     48     71014         M4 X 9 X .8 BRT WASHER BS4320 FORM 4        6 *
*     49     71015         M4 GRD 8 NYLON INSERT SELF LOCK NUT DIN9    4 *
*     57     70011         CABLE TIE NT20                       8 *
*     58     70082         BRN CONN LEAD 1/600/7 MINI            1 *
*     59     66118         SMALL P CLIP MINI                     4 *
*     60     70081         BLUE CONN LEAD 1/600/6 ISS 13 MINI          1 *
*     61     71007         M4 X 10 SUPA PAN TAPTITE MECH ZINC/        2 *
*****

```

```

*****
* Item No.   Product Code   Description                               Quantity *
*****
*      62    71442          M4 SCSS SPRING WASHER BS4464 A ZINC           2 *
*      63    70000          SWITCH MINI                                 1 *
*      64    69129          FOOT PEDAL 7/619 ISS 8 MINI                 1 *
*      66    69026          SPACER 27MM 2/693 ISS 6 MINI                 1 *
*      67    68018          GUARD RING.7/632 ISS 1 MINI                 1 *
*      68    71325          NO.8 X 3/4 POZI FLANGE S/TAPPERS            4 *
*      69    69025          SPACER 31MM 2/692 ISS 6 MINI                 3 *
*      70    70028          SUPPRESSOR&CHOKES 7/706 ISS 2 MINI          1 *
*      71    70069          PARALLEL SPLICE                               2 *
*      72    72151          LABEL MINI 175 P7/772 ISS 2                   1 *
*      73    71003          AD 54 SB TUCKER RIVET (FINISH 448)           6 *
*      74    71002          LID CATCH MINI P7/781 ISS 1                   3 *
*      75    71025          SCREW S/TAP KB50X10                           4 *
*      76    69265          HOSE CONN SEAL 14/668 ISS 2                   1 *
*      77    81018          INLET PLAIN 19/623 ISS 3                       1 *
*      81    56023          ONE DISPOS PAPER BAG MINI DVU 140            5 *
*     123    58302          32MM ST/ST TELESCOPIC EXTENSION TUBE         1 *
*     124    58277          FLOOR TOOL 272MM RD272 (32MM)                1 *
*     602    72053          PACKING CASE MINI SET                         1 *
*     603    72198          BASEBOARD PACKING MINI 7/767 ISS.2           2 *
*     603    72077          KITE SWING LABEL P7/775 ISS 1                 1 *
*     604    72401          OPERATING INSTR: MINI 175 SERIES              1 *
*     612    58300          32MM ST/ST HOSE & P/GRIP ASSY                1 *
*     700    77152          EXP:VIEW MINI ISSUE 12                       1 *
*     801    77750          INTRO 500/330 ISS 1 01/10/99                 1 *
*     802    77397          MOD 1036 ISSUE 2 18/11/92                     1 *
*     802    77879          MOD 1447 ISS 2 24/10/01                       1 *
*     802    77302          MOD 922 ISSUE 2 13/05/91                      2 *
*     803    77398          MOD 1036 ISSUE 3 18/11/92                     1 *
*     803    77436          MOD 1088 ISS 3 5/11/93                        1 *
*     804    77667          MOD 1305 ISS 4 25/03/98                       1 *
*     804    77425          MOD 1076 ISSUE 4 06/07/93                     1 *
*     805    77438          MOD 1088 ISSUE 5 5/11/93                      1 *
*     805    77754          MOD 1365 ISS 5 01/10/99                       1 *
*     806    77755          MOD 1365 ISS 6 01/10/99                       1 *
*     806    77761          MOD 1366 ISS 6 12/10/99                       1 *
*****

```

PARTS LIST COMPLETE.

The following Sub Assemblies are available for the MINI 175 UK

```

*****
* 68062          TOP CONTAINER S/ASSY          MINI          *
*****

```

Comprising of the following item numbers:-

15, 48, 73, 74, 75, 76, 77, 802,

```

*****
* 68074          SPRING CABLE HOLDER S/A      MINI          *
*****

```

Comprising of the following item numbers:-

23, 24,

```

*****
* 69201          HANDLE S/ASSY                MINI          *
*****

```

Comprising of the following item numbers:-

2, 3, 4, 5, 7, 9, 10,

```

*****
* 69206          SNAP CAP & WASHER           MINI          *
*****

```

Comprising of the following item numbers:-

1, 2,

```

*****
* 70142          THRO FLOW MOTOR S/A 240V    *
*****

```

Comprising of the following item numbers:-

19, 40, 70, 71,

```

*****
* 83190          DRY ACCESSORY KIT 32MM      *
*****

```

Comprising of the following item numbers:-

123, 124, 801, 802,

```

*****
* Item No.   Product Code   Description                               Quantity *
*****
*      1     69206A         SNAP CAP (CAP) BLK                        1 *
*      2     69200         HANDLE 7/673 ISS. 4          MINI      1 *
*      2     69206B         UNICAP WASHER WHITE          1 *
*      3     69198         CABLE REST: LEVER 7/675 ISS 4 MINI      2 *
*      4     69197         BASE HANDLE 7/674          MINI      1 *
*      5     65041         BALL STAINLESS 1/4DIA          2 *
*      7     65038         COMP SPRING 6/686 ISS 1          2 *
*      8     68012         LID.7/601 ISS 9          MINI      1 *
*      9     71008         2BA SHAKEPROOF WASHER INTERNAL TEETH      6 *
*     10     71388         SCREW POZI M/HEAD M5X10 BZP          2 *
*     11     69085         FILTER BAG.7/652 ISS 6          MINI      1 *
*     12     68016         GUARD DISC ASSY GRN.7/648 ISS 2 MINI      1 *
*     13     68017         MESH RING.7/609 ISS 4          MINI      1 *
*     15     68013         TOP CONTAINER.7/602 ISS 16 MINI      1 *
*     16     71364         10 X 3/4 POZI PAN HD S/TAP SCRW AB ZINC/  4 *
*     17     69027         MOTOR SUPPORT RING 7/646 ISS 3 MINI      1 *
*     18     69018         MOTOR MTG BAR 2/690 ISS 4 MINI      4 *
*     19     70046         MOTOR THROFLOW 110V          1 *
*     20     69027         MOTOR SUPPORT RING 7/646 ISS 3 MINI      1 *
*     21     68010         MOTOR LOCN DISC.7/689 ISS 1 MINI      1 *
*     22     70051         CORDSET 2X1MMX10MLG 3PIN MINI          1 *
*     23     69038         CABLE GRIP 2X1MM 7/649 ISS 5          1 *
*     24     65039         SPRING CABLE REST: 7/677 ISS 4          1 *
*     25     70001         CABLE TRICLAMP TK2          1 *
*     26     70079         GROMMET MINI          1 *
*     27     71403         6 X 1 POZI PAN S/TAP SCRW AB ZINC CLR -  1 *
*     28     66016         PLUG BLACK          1 *
*     30     72083         RATING LABEL(MINI 175) 110V 7/655 ISS 4  1 *
*     34     68014         MOTOR BELL HSG.7/603 ISS 14 MINI      1 *
*     35     69031         BUMPER RING MINI 7/715 ISS 3          1 *
*     36     71010         5/16 SHAKEPROOF WASHER INTERNAL TEETH      5 *
*     37     71011         M8 X 50 HEX BOLT BS3692/DIN931 GR 8.8     4 *
*     38     69119         INS DISC LARGE HOLE 7/660 ISS 11 MINI      1 *
*     39     69116         FOAM INSULATION 7/783 (20MM PAD)          1 *
*     40     69028         RUBBER CAP 7/653 ISS 2          MINI      1 *
*     41     69118         INS DISC SMALL HOLE 7/661 ISS 10 MINI      1 *
*     41     69027         MOTOR SUPPORT RING 7/646 ISS 3 MINI      1 *
*     42     71012         M8 GRD 8 NYLON INSERT SELF LOCK NUT DIN9  4 *
*     43     68011         WASHER 16SWG 2/691 ISS 5 ALL          4 *
*     44     68015         BASE.7/604 ISS 12          MINI      1 *
*     45     68009         WASHER 10SWG 2/686 ISS 5          MINI      4 *
*     46     68005         CASTOR 2/624          MINI      4 *
*     47     71287         M4 X 10 STEEL POZI PAN SCREW ZINC & CLEA  4 *
*     48     71014         M4 X 9 X .8 BRT WASHER BS4320 FORM 4      6 *
*     49     71015         M4 GRD 8 NYLON INSERT SELF LOCK NUT DIN9  4 *
*     57     70011         CABLE TIE NT20          8 *
*     58     70082         BRN CONN LEAD 1/600/7 MINI          1 *
*     59     66118         SMALL P CLIP MINI          4 *
*     60     70081         BLUE CONN LEAD 1/600/6 ISS 13 MINI      1 *
*****

```

```

*****
* Item No.   Product Code   Description                               Quantity *
*****
*   61      71007          M4 X 10 SUPA PAN TAPTITE MECH ZINC/           2 *
*   62      71442          M4 SCSS SPRING WASHER BS4464 A ZINC           2 *
*   63      70000          SWITCH MINI                                   1 *
*   64      69129          FOOT PEDAL 7/619 ISS 8 MINI                   1 *
*   66      69026          SPACER 27MM 2/693 ISS 6 MINI                   1 *
*   67      68018          GUARD RING.7/632 ISS 1 MINI                   1 *
*   68      71325          NO.8 X 3/4 POZI FLANGE S/TAPPERS              4 *
*   69      69025          SPACER 31MM 2/692 ISS 6 MINI                   3 *
*   70      70038          SUPPRESSOR&CHOKES 110/115 (7/707 ISS.2)      1 *
*   71      70069          PARALLEL SPLICE                               2 *
*   72      72151          LABEL MINI 175 P7/772 ISS 2                   1 *
*   73      71003          AD 54 SB TUCKER RIVET (FINISH 448)            6 *
*   74      71002          LID CATCH MINI P7/781 ISS 1                   3 *
*   75      71025          SCREW S/TAP KB50X10                           4 *
*   76      69265          HOSE CONN SEAL 14/668 ISS 2                   1 *
*   77      81018          INLET PLAIN 19/623 ISS 3                      1 *
*   81      56023          ONE DISPOS PAPER BAG MINI DVU 140             5 *
*  123      58302          32MM ST/ST TELESCOPIC EXTENSION TUBE         1 *
*  124      58277          FLOOR TOOL 272MM RD272 (32MM)               1 *
*  601      72086          110 VOLTS ONLY LABEL P7/774 ISS 1            1 *
*  602      72053          PACKING CASE MINI SET                         1 *
*  603      72401          OPERATING INSTR: MINI 175 SERIES              1 *
*  603      72198          BASEBOARD PACKING MINI 7/767 ISS.2           2 *
*  612      58300          32MM ST/ST HOSE & P/GRIP ASSY                1 *
*  700      77152          EXP:VIEW MINI ISSUE 12                       1 *
*  801      77750          INTRO 500/330 ISS 1 01/10/99                 1 *
*  802      77614          MOD 1273 ISS 2 29/05/97                       1 *
*  802      77397          MOD 1036 ISSUE 2 18/11/92                     1 *
*  802      77302          MOD 922 ISSUE 2 13/05/91                      2 *
*  802      77879          MOD 1447 ISS 2 24/10/01                       1 *
*  803      77398          MOD 1036 ISSUE 3 18/11/92                     1 *
*  803      77436          MOD 1088 ISS 3 5/11/93                        1 *
*  804      77425          MOD 1076 ISSUE 4 06/07/93                     1 *
*  804      77667          MOD 1305 ISS 4 25/03/98                       1 *
*  805      77754          MOD 1365 ISS 5 01/10/99                       1 *
*  805      77438          MOD 1088 ISSUE 5 5/11/93                      1 *
*  806      77755          MOD 1365 ISS 6 01/10/99                       1 *
*  806      77761          MOD 1366 ISS 6 12/10/99                       1 *
*  910      72069          ELECTRIC MOTOR CASE DRG 7/789 ISS.1           1 *
*****

```

PARTS LIST COMPLETE.

The following Sub Assemblies are available for the MINI 175 110V

```

*****
* 68062          TOP CONTAINER S/ASSY          MINI          *
*****

```

Comprising of the following item numbers:-

15, 48, 73, 74, 75, 76, 77, 802,

```

*****
* 68074          SPRING CABLE HOLDER S/A      MINI          *
*****

```

Comprising of the following item numbers:-

23, 24,

```

*****
* 69201          HANDLE S/ASSY                MINI          *
*****

```

Comprising of the following item numbers:-

2, 3, 4, 5, 7, 9, 10,

```

*****
* 69206          SNAP CAP & WASHER           MINI          *
*****

```

Comprising of the following item numbers:-

1, 2,

```

*****
* 70143          MOTOR S/A MINI 110V (BOXED)  *
*****

```

Comprising of the following item numbers:-

19, 40, 41, 70, 71, 802, 910,

```

*****
* 83190          DRY ACCESSORY KIT 32MM      *
*****

```

Comprising of the following item numbers:-

123, 124, 801, 802,

```

*****
* Item No.   Product Code   Description                               Quantity *
*****
*      1     69206A         SNAP CAP (CAP) BLK                          1 *
*      2     69200         HANDLE 7/673 ISS. 4          MINI      1 *
*      2     69206B         UNICAP WASHER WHITE                    1 *
*      3     69198         CABLE REST: LEVER 7/675 ISS 4 MINI      2 *
*      4     69197         BASE HANDLE 7/674          MINI      1 *
*      5     65041         BALL STAINLESS 1/4DIA                    2 *
*      7     65038         COMP SPRING 6/686 ISS 1                    2 *
*      8     68012         LID.7/601 ISS 9              MINI      1 *
*      9     71008         2BA SHAKEPROOF WASHER INTERNAL TEETH      6 *
*     10     71388         SCREW POZI M/HEAD M5X10 BZP                2 *
*     11     69085         FILTER BAG.7/652 ISS 6          MINI      1 *
*     12     68016         GUARD DISC ASSY GRN.7/648 ISS 2 MINI      1 *
*     13     68017         MESH RING.7/609 ISS 4          MINI      1 *
*     15     68013         TOP CONTAINER.7/602 ISS 16 MINI          1 *
*     16     71364         10 X 3/4 POZI PAN HD S/TAP SCRW AB ZINC/   4 *
*     17     69027         MOTOR SUPPORT RING 7/646 ISS 3 MINI        1 *
*     18     69018         MOTOR MTG BAR 2/690 ISS 4 MINI            4 *
*     19     70012         MOTOR 230V                            1 *
*     20     69027         MOTOR SUPPORT RING 7/646 ISS 3 MINI        1 *
*     21     68010         MOTOR LOCN DISC.7/689 ISS 1 MINI          1 *
*     22     70051         CORDSET 2X1MMX10MLG 3PIN MINI            1 *
*     23     69038         CABLE GRIP 2X1MM 7/649 ISS 5              1 *
*     24     65039         SPRING CABLE REST: 7/677 ISS 4            1 *
*     25     70001         CABLE TRICLAMP TK2                    1 *
*     26     70079         GROMMET MINI                            1 *
*     27     71403         6 X 1 POZI PAN S/TAP SCRW AB ZINC CLR -    1 *
*     28     66016         PLUG BLACK                            1 *
*     30     72173         RATING LABEL(MINI PH) BSI 7/701 ISS 7      1 *
*     34     68025         MOTOR BELL HSG PH.7/657 ISS 6 MINI         1 *
*     35     69031         BUMPER RING MINI 7/715 ISS 3              1 *
*     36     71010         5/16 SHAKEPROOF WASHER INTERNAL TEETH      5 *
*     37     71011         M8 X 50 HEX BOLT BS3692/DIN931 GR 8.8      4 *
*     38     69119         INS DISC LARGE HOLE 7/660 ISS 11 MINI      1 *
*     39     69132         INSULATION STRIP, PH 7/784 (20MM PAD)      1 *
*     40     69028         RUBBER CAP 7/653 ISS 2          MINI      1 *
*     41     69118         INS DISC SMALL HOLE 7/661 ISS 10 MINI      1 *
*     42     71012         M8 GRD 8 NYLON INSERT SELF LOCK NUT DIN9   4 *
*     43     68011         WASHER 16SWG 2/691 ISS 5          ALL       4 *
*     44     68015         BASE.7/604 ISS 12             MINI      1 *
*     45     68009         WASHER 10SWG 2/686 ISS 5          MINI      4 *
*     46     68005         CASTOR 2/624                     MINI      4 *
*     47     71287         M4 X 10 STEEL POZI PAN SCREW ZINC & CLEA   4 *
*     48     71014         M4 X 9 X .8 BRT WASHER BS4320 FORM 4       6 *
*     49     71015         M4 GRD 8 NYLON INSERT SELF LOCK NUT DIN9   4 *
*     50     70105         BLUE CONN LEAD 1/600/3 ISS 13 MINI        1 *
*     51     70106         BRN CONN LEAD 1/600/5 ISS 13 MINI         1 *
*     52     70147         ROCKER SWITCH                            1 *
*     53     70104         BLUE CONN LEAD 1/600/8 ISS 13 MINI         1 *
*     54     70107         BRN CONN LEAD 1/600/9 ISS 13 MINI         1 *
*****

```

```

*****
* Item No.   Product Code   Description                               Quantity *
*****
*   55      70108          SOCKET BLACK                               1 *
*   56      68265          RETAINING SPRING 7/685 ISS 4 PH           1 *
*   57      70011          CABLE TIE             NT20                8 *
*   58      70082          BRN CONN LEAD        1/600/7   MINI           1 *
*   59      66118          SMALL P CLIP                MINI           4 *
*   60      70081          BLUE CONN LEAD 1/600/6 ISS 13 MINI       1 *
*   61      71007          M4 X 10 SUPA PAN TAPTITE MECH ZINC/       2 *
*   62      71442          M4 SCSS SPRING WASHER BS4464 A ZINC       2 *
*   63      70000          SWITCH                 MINI                1 *
*   64      69129          FOOT PEDAL 7/619 ISS 8   MINI           1 *
*   66      69026          SPACER 27MM 2/693 ISS 6   MINI           1 *
*   67      68018          GUARD RING.7/632 ISS 1   MINI           1 *
*   68      71325          NO.8 X 3/4 POZI FLANGE S/TAPPERS         4 *
*   69      69025          SPACER 31MM 2/692 ISS 6   MINI           3 *
*   70      70028          SUPPRESSOR&CHOKES 7/706 ISS 2 MINI       1 *
*   71      70069          PARALLEL SPLICE                               2 *
*   72      72149          LABEL MINI 175PH P7/773 ISS 2             1 *
*   73      71003          AD 54 SB TUCKER RIVET (FINISH 448)       6 *
*   74      71002          LID CATCH MINI P7/781 ISS 1              3 *
*   75      71025          SCREW S/TAP           KB50X10             4 *
*   76      69265          HOSE CONN SEAL 14/668 ISS 2              1 *
*   77      81018          INLET PLAIN 19/623 ISS 3                1 *
*   81      56023          ONE DISPOS PAPER BAG MINI DVU 140        5 *
*  123      58302          32MM ST/ST TELESCOPIC EXTENSION TUBE     1 *
*  124      58277          FLOOR TOOL 272MM RD272 (32MM)           1 *
*   602      72077          KITE SWING LABEL P7/775 ISS 1            1 *
*   602      72053          PACKING CASE MINI SET                    1 *
*   603      72198          BASEBOARD PACKING   MINI 7/767 ISS.2      2 *
*   603      81157          PWR SOCKET LABEL 19/764 ISS 3 DMV 120    1 *
*   604      72401          OPERATING INSTR: MINI 175 SERIES         1 *
*   612      58300          32MM ST/ST HOSE & P/GRIP ASSY           1 *
*   700      77151          EXP:VIEW MINI PH ISSUE 12                1 *
*   801      77750          INTRO 500/330 ISS 1 01/10/99            1 *
*   802      77879          MOD 1447 ISS 2 24/10/01                  1 *
*   802      77302          MOD 922 ISSUE 2 13/05/91                 2 *
*   802      77397          MOD 1036 ISSUE 2 18/11/92               1 *
*   802      77398          MOD 1036 ISSUE 3 18/11/92              1 *
*   803      77353          MOD 971 ISSUE 3 02/01/92                1 *
*   804      77437          MOD 1088 ISS 4 5/11/93                   1 *
*   804      77425          MOD 1076 ISSUE 4 06/07/93               1 *
*   805      77438          MOD 1088 ISSUE 5 5/11/93                 1 *
*   805      77668          MOD 1305 ISS 5 25/03/98                  1 *
*   806      77755          MOD 1365 ISS 6 01/10/99                 2 *
*   807      77762          MOD 1366 ISS 7 12/10/99                 1 *
*   808      77878          MOD 1441 ISS 8 17/07/01                  1 *
*****

```

PARTS LIST COMPLETE.

The following Sub Assemblies are available for the MINI 175 PH UK

```

*****
* 68062          TOP CONTAINER S/ASSY          MINI          *
*****

```

Comprising of the following item numbers:-

15, 48, 73, 74, 75, 76, 77, 802,

```

*****
* 68074          SPRING CABLE HOLDER S/A      MINI          *
*****

```

Comprising of the following item numbers:-

23, 24,

```

*****
* 69201          HANDLE S/ASSY                MINI          *
*****

```

Comprising of the following item numbers:-

2, 3, 4, 5, 7, 9, 10,

```

*****
* 69206          SNAP CAP & WASHER            MINI          *
*****

```

Comprising of the following item numbers:-

1, 2,

```

*****
* 70142          THRO FLOW MOTOR S/A 240V     *
*****

```

Comprising of the following item numbers:-

19, 40, 70, 71,

```

*****
* 83190          DRY ACCESSORY KIT 32MM       *
*****

```

Comprising of the following item numbers:-

123, 124, 801, 802,

```

*****
* Item No.   Product Code   Description                               Quantity *
*****
*      1     69206A        SNAP CAP (CAP) BLK                        1 *
*      2     69200        HANDLE 7/673 ISS. 4          MINI      1 *
*      2     69206B        UNICAP WASHER WHITE                    1 *
*      3     69198        CABLE REST: LEVER 7/675 ISS 4 MINI      2 *
*      4     69197        BASE HANDLE 7/674          MINI      1 *
*      5     65041        BALL STAINLESS 1/4DIA                    2 *
*      7     65038        COMP SPRING 6/686 ISS 1                    2 *
*      8     68012        LID.7/601 ISS 9          MINI      1 *
*      9     71008        2BA SHAKEPROOF WASHER INTERNAL TEETH      6 *
*     10     71388        SCREW POZI M/HEAD M5X10 BZP                2 *
*     11     69085        FILTER BAG.7/652 ISS 6          MINI      1 *
*     12     68016        GUARD DISC ASSY GRN.7/648 ISS 2 MINI      1 *
*     13     68017        MESH RING.7/609 ISS 4          MINI      1 *
*     15     68013        TOP CONTAINER.7/602 ISS 16 MINI          1 *
*     16     71364        10 X 3/4 POZI PAN HD S/TAP SCRW AB ZINC/  4 *
*     17     69027        MOTOR SUPPORT RING 7/646 ISS 3 MINI        1 *
*     18     69018        MOTOR MTG BAR 2/690 ISS 4 MINI            4 *
*     19     70012        MOTOR 230V                            1 *
*     20     69027        MOTOR SUPPORT RING 7/646 ISS 3 MINI        1 *
*     21     68010        MOTOR LOCN DISC.7/689 ISS 1 MINI          1 *
*     22     70051        CORDSET 2X1MMX10MLG 3PIN MINI            1 *
*     23     69038        CABLE GRIP 2X1MM 7/649 ISS 5            1 *
*     24     65039        SPRING CABLE REST: 7/677 ISS 4            1 *
*     25     70001        CABLE TRICLAMP TK2                            1 *
*     26     70079        GROMMET MINI                            1 *
*     27     71403        6 X 1 POZI PAN S/TAP SCRW AB ZINC CLR -    1 *
*     28     66016        PLUG BLACK                                1 *
*     30     72185                                *                                1 *
*     31     71025        SCREW S/TAP KB50X10                            4 *
*     32     68019        MESH EXHAUST 7/633 MINI                    1 *
*     33     69036        EXHAUST OUTLET^^^ 2/697 MINI              1 *
*     34     68022                                1 *
*     35     69031        BUMPER RING MINI 7/715 ISS 3                1 *
*     36     71010        5/16 SHAKEPROOF WASHER INTERNAL TEETH      5 *
*     37     71011        M8 X 50 HEX BOLT BS3692/DIN931 GR 8.8      4 *
*     38     69119        INS DISC LARGE HOLE 7/660 ISS 11 MINI      1 *
*     39     69136        INS STRIP MINI E 7/672 ISS 7 MINI          1 *
*     40     69028        RUBBER CAP 7/653 ISS 2          MINI      1 *
*     41     69118        INS DISC SMALL HOLE 7/661 ISS 10 MINI      1 *
*     42     71012        M8 GRD 8 NYLON INSERT SELF LOCK NUT DIN9  4 *
*     43     68011        WASHER 16SWG 2/691 ISS 5 ALL              4 *
*     44     68015        BASE.7/604 ISS 12          MINI      1 *
*     45     68009        WASHER 10SWG 2/686 ISS 5          MINI      4 *
*     46     68005        CASTOR 2/624          MINI      4 *
*     47     71287        M4 X 10 STEEL POZI PAN SCREW ZINC & CLEA  4 *
*     48     71014        M4 X 9 X .8 BRT WASHER BS4320 FORM 4      6 *
*     49     71015        M4 GRD 8 NYLON INSERT SELF LOCK NUT DIN9  4 *
*     57     70011        CABLE TIE NT20                            8 *
*     57     68019        MESH EXHAUST 7/633 MINI                    1 *
*****

```

```

*****
* Item No.   Product Code   Description                               Quantity *
*****
*   58      70082          BRN CONN LEAD 1/600/7  MINI             1 *
*   59      66118          SMALL P CLIP                               MINI             4 *
*   60      70081          BLUE CONN LEAD 1/600/6 ISS 13 MINI           1 *
*   61      71007          M4 X 10 SUPA PAN TAPTITE MECH ZINC/          2 *
*   62      71442          M4 SCSS SPRING WASHER BS4464 A ZINC         2 *
*   63      70000          SWITCH                               MINI             1 *
*   64      69129          FOOT PEDAL 7/619 ISS 8  MINI             1 *
*   66      69026          SPACER 27MM 2/693 ISS 6  MINI             1 *
*   67      68020          SEALING RING 7/634  MINI             1 *
*   68      71325          NO.8 X 3/4 POZI FLANGE S/TAPPERS           4 *
*   69      69025          SPACER 31MM 2/692 ISS 6  MINI             3 *
*   70      70028          SUPPRESSOR&CHOKES 7/706 ISS 2 MINI          1 *
*   71      70069          PARALLEL SPLICE                               *             2 *
*   72      72150                               *             1 *
*   73      71003          AD 54 SB TUCKER RIVET (FINISH 448)          6 *
*   74      71002          LID CATCH MINI P7/781 ISS 1                 3 *
*   75      71025          SCREW S/TAP KB50X10                          4 *
*   76      69265          HOSE CONN SEAL 14/668 ISS 2                 1 *
*   77      81018          INLET PLAIN 19/623 ISS 3                   1 *
*   81      56023          ONE DISPOS PAPER BAG MINI DVU 140          5 *
*   85      58036          HOSE & P/GRIP ASSY 30/32MM MINI            1 *
*   86      69089          KWIKSTICK PAD 25MMX25MM                     1 *
*   87      69053          RUBBER SECTION 7/642 WHITE PER METRE       1 *
*  123      58302          32MM ST/ST TELESCOPIC EXTENSION TUBE       1 *
*  124      58277          FLOOR TOOL 272MM RD272 (32MM)              1 *
*   602      72053          PACKING CASE MINI SET                       1 *
*   602      72077          KITE SWING LABEL P7/775 ISS 1              1 *
*   603      72198          BASEBOARD PACKING MINI 7/767 ISS.2         2 *
*   603      72401          OPERATING INSTR: MINI 175 SERIES            1 *
*   612      58300          32MM ST/ST HOSE & P/GRIP ASSY              1 *
*   700      77152          EXP:VIEW MINI ISSUE 12                     1 *
*   801      77750          INTRO 500/330 ISS 1 01/10/99               1 *
*   802      77397          MOD 1036 ISSUE 2 18/11/92                  1 *
*   802      77302          MOD 922 ISSUE 2 13/05/91                   2 *
*   802      77879          MOD 1447 ISS 2 24/10/01                    1 *
*   803      77436          MOD 1088 ISS 3 5/11/93                     1 *
*   803      77398          MOD 1036 ISSUE 3 18/11/92                  1 *
*   804      77425          MOD 1076 ISSUE 4 06/07/93                  1 *
*   804      77759          MOD 1366 ISS 4 12/10/99                    1 *
*   805      77438          MOD 1088 ISSUE 5 5/11/93                   1 *
*   806      77755          MOD 1365 ISS 6 01/10/99                    1 *
*****

```

PARTS LIST COMPLETE.

The following Sub Assemblies are available for the MINI 175E (240V)

UK

```

*****
* 68062          TOP CONTAINER S/ASSY          MINI          *
*****

```

Comprising of the following item numbers:-

15, 48, 73, 74, 75, 76, 77, 802,

```

*****
* 68074          SPRING CABLE HOLDER S/A      MINI          *
*****

```

Comprising of the following item numbers:-

23, 24,

```

*****
* 69201          HANDLE S/ASSY                MINI          *
*****

```

Comprising of the following item numbers:-

2, 3, 4, 5, 7, 9, 10,

```

*****
* 69206          SNAP CAP & WASHER            MINI          *
*****

```

Comprising of the following item numbers:-

1, 2,

```

*****
* 70142          THRO FLOW MOTOR S/A 240V     *
*****

```

Comprising of the following item numbers:-

19, 40, 70, 71,

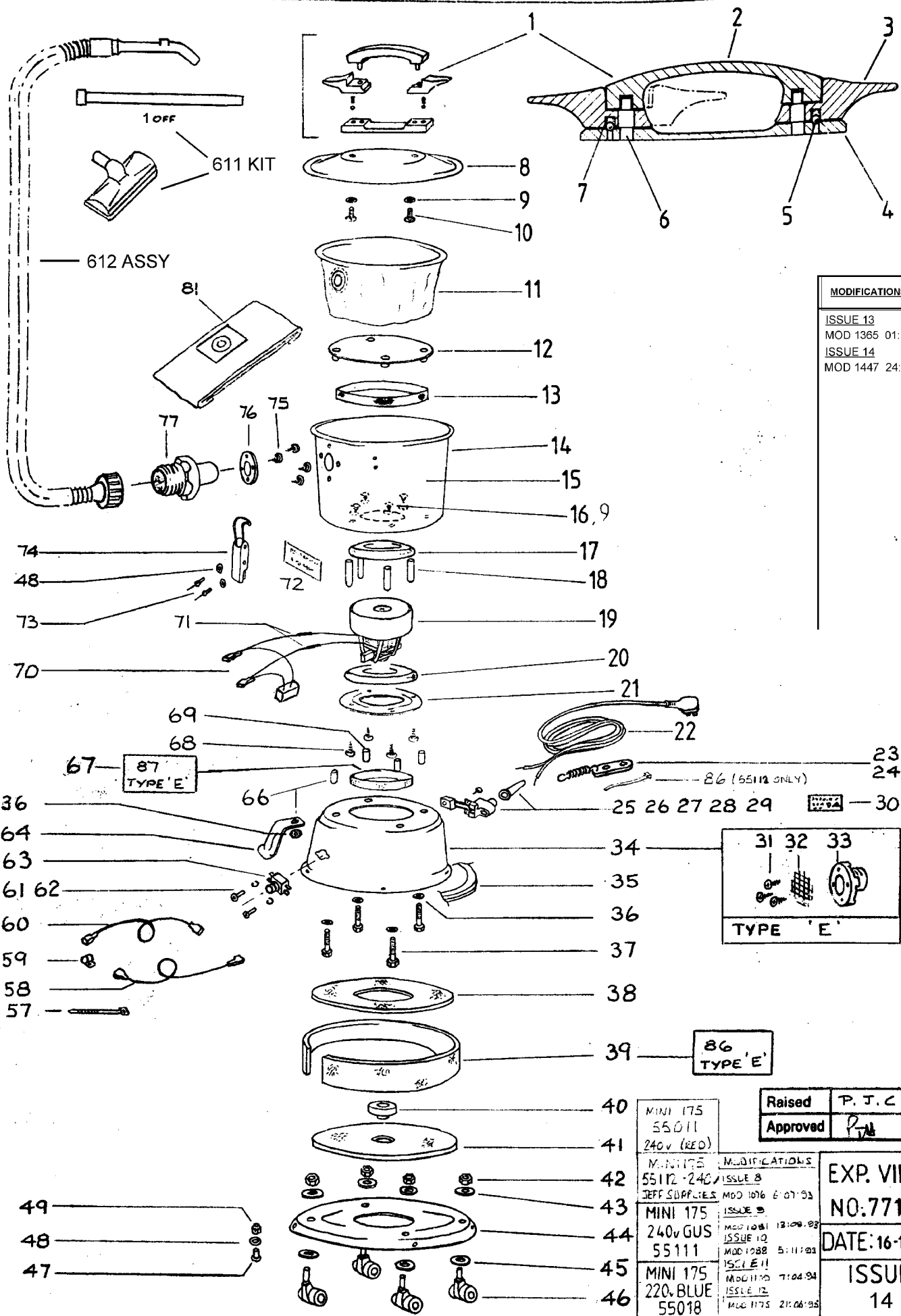
```

*****
* 83190          DRY ACCESSORY KIT 32MM       *
*****

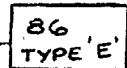
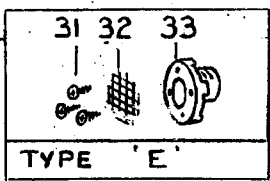
```

Comprising of the following item numbers:-

123, 124, 801, 802,



MODIFICATIONS	
ISSUE 13	MOD 1365 01:10:99
ISSUE 14	MOD 1447 24:10:01



Raised	P. J. C
Approved	<i>[Signature]</i>

MINI 175
55011
240v (RED)

MINI 175
240v GUS
55111

MINI 175
220v BLUE
55018

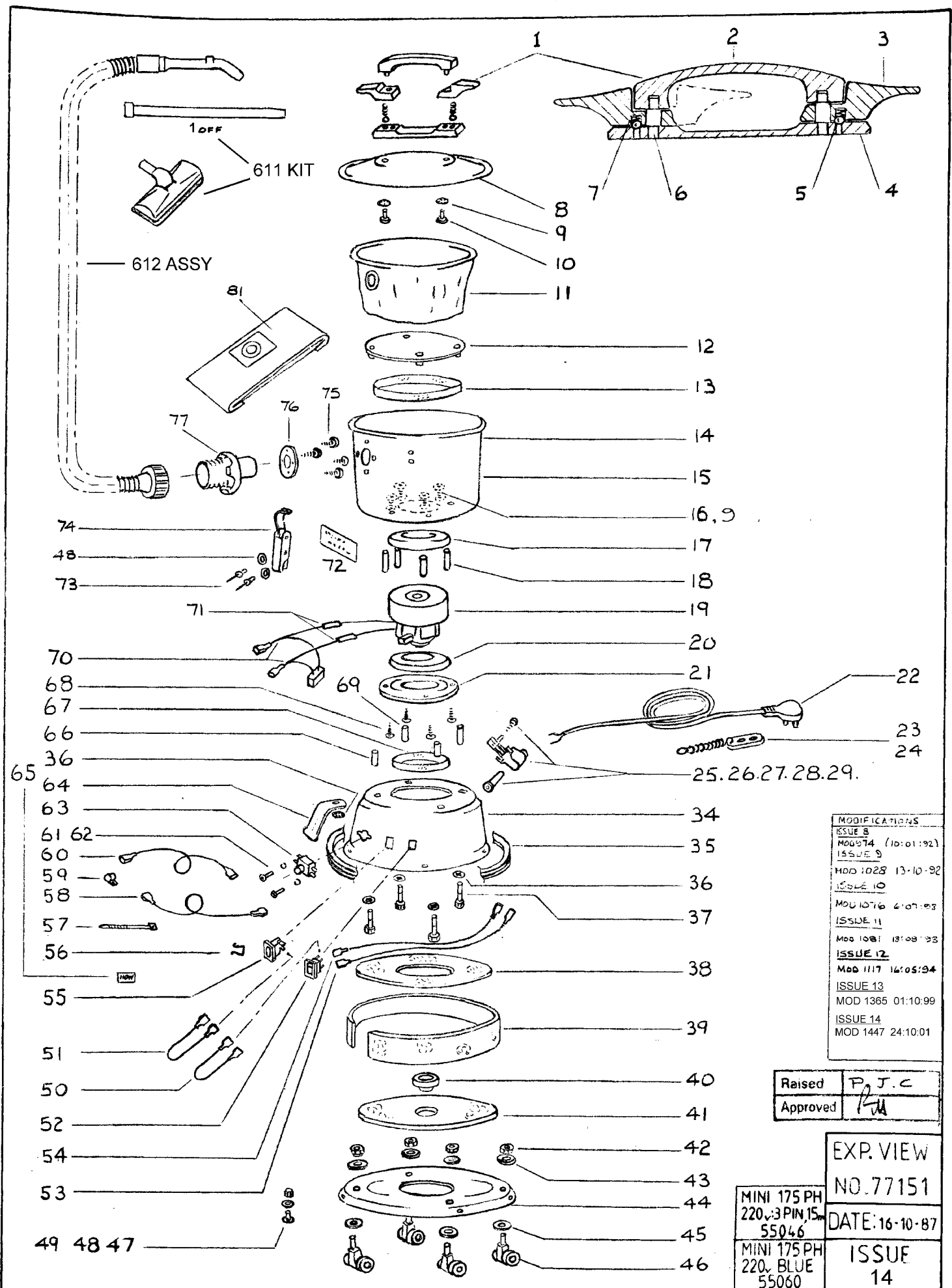
MODIFICATIONS	ISSUE	DATE
ISSUE 8	ISSUE 9	MOD 1076 6-07-93
ISSUE 10	ISSUE 11	MOD 1081 13-09-93
ISSUE 12	ISSUE 13	MOD 1088 5-11-93
ISSUE 14	ISSUE 15	MOD 1120 7-04-94
ISSUE 16	ISSUE 17	MOD 1173 21-06-95

EXP. VIEW
NO: 77152

DATE: 16-10-87

ISSUE
14

MINI MODEL	240v	220v	110v	220v TÜV	220v NEMKO	IS INITIAL	MAXI MODEL	240v	220v	110v	220v TÜV	220v NEMKO
MINI 175	55014	55021	55023	55020	55072	55009	COMMON ITEMS	55005 & 55043	55074	55016	55021	55073
MINI 175E	55006	55078	—	55059	—	—	MAXI 120E	55007	55075	—	55060	—



MODIFICATIONS	
ISSUE 8	
MOD 974	10-01-92
ISSUE 9	
MOD 1028	13-10-92
ISSUE 10	
MOD 1076	01-07-93
ISSUE 11	
MOD 1081	13-08-93
ISSUE 12	
MOD 1117	14-05-94
ISSUE 13	
MOD 1365	01-10-99
ISSUE 14	
MOD 1447	24-10-01

Raised P.J.C
 Approved [Signature]

EXP. VIEW
 NO. 77151
 DATE: 16-10-87

MINI 175PH
 220V 3PIN 15W
 55046

MINI 175PH
 220V BLUE
 55060

ISSUE
 14

MINI MODEL	240v	220v	110v	220v TÜV	220v FRANCE	240v 33mm	MAXI MODEL	240v	220v	110v	220v TÜV				
COMMON ITEMS	55023						COMMON ITEMS	55034							
MINI 175PH	55045	55079	55053	55052	55090	55110	MAXI 120PH	55054	55076	55056	55055				

ELECTRICAL SPARES REPLACEMENT INSTRUCTIONS: Mini 175 & Maxi 120

PLEASE READ BEFORE FITTING OF REPLACEMENT PART

Thank you for purchasing this original replacement part. Before fitting, machine users must ensure the following:-

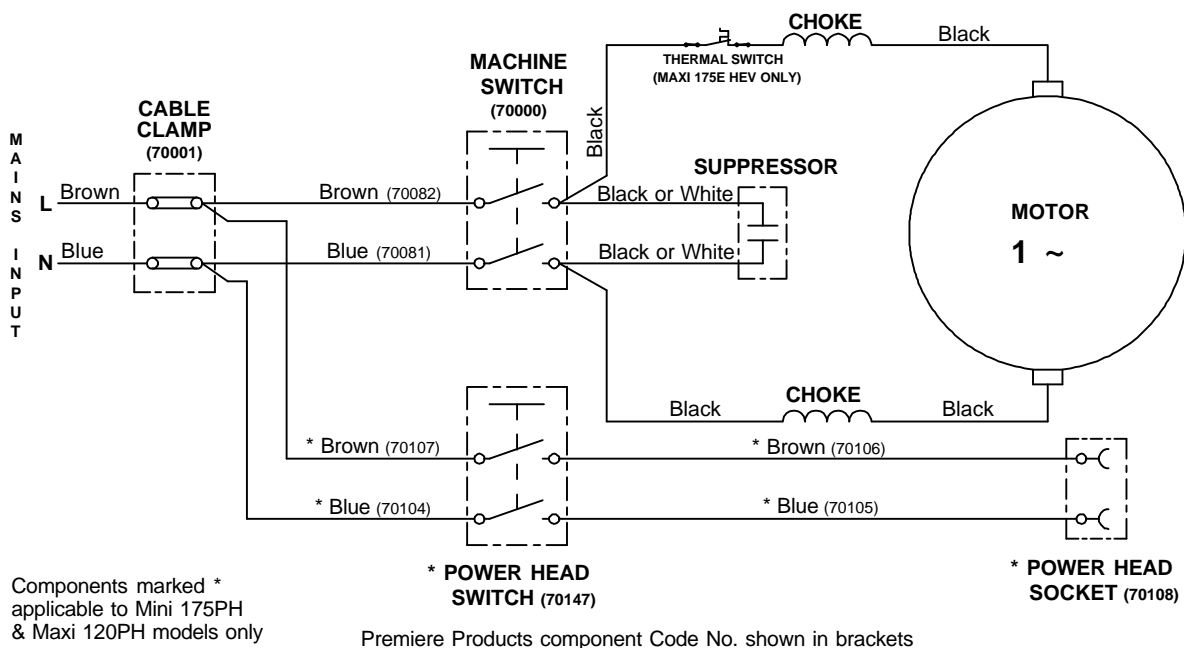
1. Replacement part is fitted by a qualified service engineer only.
2. Clear reference is made to the wiring diagram detailed below.
3. All test instructions are carried out as detailed below, before returning the electrical appliance to the work place.

Should you require further assistance please contact Premiere Products Machine Division Service department.

Failure to follow the above instructions may affect your rights in law.

WARNING: Before undertaking any repair or disassembly of machines ensure that it is disconnected from the mains.

Mini 175, 175E, 175PH, Maxi 120, 120E, 120PH & 175E HEV Machine Wiring Diagram



IMPORTANT: Electrical Safety Tests

Upon completion of service and repair work and before returning the electrical appliance to the work place, the following testing for electrical safety must be undertaken.

1. Earth Bond Resistance (Class I only).

Resistance max. = $(0.1 + R)$ Ohms

Where R = Resistance of supply cord earth wire.

2. Insulation Flash Test.

Class I appliance 1375 Volts AC for 6 secs. (Alternatively 1250 Volts AC for 10 secs.)

Class II appliance 4125 Volts AC for 6 secs. (Alternatively 3750 Volts AC for 10 secs.)



Premiere Products (Machine Division)
Oakley Gardens, Bouncers Lane, Cheltenham, Glos. GL52 5JD, England
Telephone: (01242) 243421 Fax: (01242) 528445