



HV Rotary Range

Spare Parts Lists
Exploded Views
Wiring Diagram

HV 380 1HP 230V
HV 430 1.5HP 230V
HV 480 1.5HP 230V



Parts list for: 53500 HV380 1HP UK

Page No. 1

```

*****
* Item No. Product Code Description Quantity *
*****
* 1 66359 MOTOR BAFFLE RING 21/684 ISS 3 2 *
* 2 70020 TERMINAL RED DVFP01-6.3F 3 *
* 3 70078 RING TERMINAL DVRL-5 8 *
* 4 66262 INS RING BASE 16/725 ISS 2 PV4 1 *
* 5 71168 M16 GRD 8 NYLON INSERT SELF LOCK NUT DIN 1 *
* 6 71164 M6 GRD 8 NYLON INSERT SELF LOCK NUT DIN9 1 *
* 7 66233 GAITER BUFFER 21/694 ISS 1 1 *
* 8 71423 M5 X 12.5 X 1 BRT STL WASHER BS4320 FORM 1 *
* 9 71350 10 X 1.1/4 POZI PAN HD S/TAP SCRWB AB ZIC 1 *
* 11 65221 PIVOT MTG BRKT 21/602 ISS 8 1 *
* 12 71012 M8 GRD 8 NYLON INSERT SELF LOCK NUT DIN9 4 *
* 13 71420 5/16 X 3/4 X 18G BRT PLAIN WASHER BS3410 4 *
* 14 71060 M8 X 35 HEX BOLT BS3692/DIN931 GR 8.8 4 *
* 15 65222 AXLE PV5 21/610 ISS 5 1 *
* 16 66192 WHEEL BUFFER WASHER P21/646 ISS 2 2 *
* 17 66357 WHEEL 200MM 20DIA AXLE BLACK 21/660 ISS1 2 *
* 18 65253 WAVE WASHER EPL 30 2 *
* 19 65238 AXLE END STOP 21/645 ISS 3 2 *
* 20 65258 M10 X 20.0 CSK SOCKET CAP SCREW 2 *
* 21 71441 1/4 SHAKEPROOF WASHER INTERNAL TEETH 2 *
* 22 71348 M6 X 40 STEEL POZI PAN SCREW ZINC/CLEAR 2 *
* 23 71399 M6 X 30 SOCKET SETSCREW BS4168 4 *
* 24 71395 M6 X 40 SOCKET SETSCREW BS4168 2 *
* 25 71427 WASHER TAB. 5/16 3 *
* 26 71010 5/16 SHAKEPROOF WASHER INTERNAL TEETH 3 *
* 27 65256 M8 X 30.0 HEXT BOLT 3 *
* 28 65042 KEY 7MX8MX13M 1 *
* 34 71046 EXTERNAL CIRCLIP D1400 0250 1 *
* 35 71084 M8 X 16 A2 STAINLESS STL HEX SETSCREW 4 *
* 36 71420 5/16 X 3/4 X 18G BRT PLAIN WASHER BS3410 4 *
* 37 66172 BRUSH GUARD 380 STD 21/604 ISS 2 1 *
* 38 71328 M5 X 16 STEEL POZI PAN SCRWB BS4183 ZINC 3 *
* 39 71008 2BA SHAKEPROOF WASHER INTERNAL TEETH 3 *
* 40 65225 LIFTING HANDLE 21/619 ISS 2 1 *
* 41 71375 M4 X 12 STEEL POZI PAN SCRWB ZINC & CLEAR 2 *
* 42 71428 M4 SHAKEPROOF WASHER INTERNAL TEETH 2 *
* 43 71328 M5 X 16 STEEL POZI PAN SCRWB BS4183 ZINC 2 *
* 44 71008 2BA SHAKEPROOF WASHER INTERNAL TEETH 2 *
* 45 66170 MACHINE COVER PV5 21/601 ISS 3 1 *
* 46 65260 GRABBER LATCH 21/690 ISS 1 2 *
* 47 66171 MOTOR LID PV5 21/603 ISS 2 1 *
* 48 72353 HV 380 MACHINE LABEL 21/664 ISS 2 1 *
* 50 72384 PV5 RATING PLATE BLANK 21/686 ISS 1 1 *
* 62 71402 M4 X 16 SUPA PAN TAPTITE MECH ZINC/ 1 *
* 64 65859 BRUSH DRIVE.16/933 ISS 6 STARLOCK DRIVE 1 *
* 65 65038 COMP SPRING 6/686 ISS 1 3 *
* 66 65041 BALL STAINLESS 1/4DIA 3 *
* 67 65543 LOCKING RING 16/934 ISS.2 S/LOCK 1 *
* 68 71472 EXTERNAL CIRCLIP D1400 0480 1 *
*****

```

Parts list for: 53500 HV380 1HP UK

Page No. 2

```

*****
* Item No.   Product Code   Description                                     Quantity *
*****
*    69     65220           MAIN SUPPORT CASTING 21/631 ISS 6                1 *
*    77     65252           WAVE WASHER EPL 19                               2 *
*    78     71459           1/4 X 9/16 X 20G T3L 18/8 ST.ST WASHER          6 *
*    79     71164           M6 GRD 8 NYLON INSERT SELF LOCK NUT DIN9         6 *
*   110     65231           ELECTRIC MTG PLATE 21/635 ISS 6                  1 *
*   111     67306           RELAY 240V P16/1178 ISS 1                        1 *
*   112     67143           CAPACITOR START 180-225MF P16/1094 IS2 1         1 *
*   113     65618           FIXING CLIP                                       2 *
*   114     71392           M3 X 16 STEEL POZI PAN SCRW ZINC & CLEAR         2 *
*   115     71209           M3 GDE 8 NYLON INSERT SELF LOCK NUT DIN9         2 *
*   116     67042           CAPACITOR RUN 16MF P16/1129 ISS 1                1 *
*   117     66010           CABLE CLAMP BLK INT 6/678 ISS 8                 1 *
*   118     71328           M5 X 16 STEEL POZI PAN SCRW BS4183 ZINC          2 *
*   119     71007           M4 X 10 SUPA PAN TAPTITE MECH ZINC/              8 *
*   120     67256           CONN LEAD BLK 1/601 ISS 7   PV4                 1 *
*   134     70063           CABLE TIE           ALT-250M   PV4                 2 *
*   135     71382A          M4 X 16 BRASS POZI PAN HEAD SCRW BS4183          1 *
*   136     71170           M4 BRASS HEX LOCK NUT BS4183                    1 *
*   137     71207           M4 BRASS NYLON INSERT SELF LOCK NUT              1 *
*   138     71426           M4 X 9 X .8 BRASS WASHER BS4320 FORM A           2 *
*   139     71428           M4 SHAKEPROOF WASHER INTERNAL TEETH              1 *
*   140     71014           M4 X 9 X .8 BRT WASHER BS4320 FORM 4             2 *
*   400     67361           MOTOR FUD 6F 230V                                1 *
*   401     65044           KEY 5X5X13.5MM           6/842 ISS 1                1 *
*   402     65402           DRIVE PINION HS 3/785 ISS 8                      1 *
*   403     71425           M6 S/COIL SQ SECT SPRING WASHER BS4464          1 *
*   404     71334           M6 X 35 8.8 SOCKET CAPSCREW DIN 912              1 *
*   405     66022           OIL SEAL           CB 32 47 07   PV4                 1 *
*   407     71499           EXTERNAL CIRCLIP D1400 0230                     3 *
*   408     71458           NYLON WASHER TO DRG 3/782/1 ISS 4                6 *
*   409     65405           PLANET GEAR HS 3/788 ISS 4                       3 *
*   410     65408           PLANET CARRIER HS. 3/778 ISS 2                  1 *
*   411     65054           BEARING           6005 2RS                    2 *
*   412     71429           WASHER WAVE           EPL 42                      1 *
*   413     71043           INTERNAL CIRCLIP D1300 0470                     2 *
*   414     66134           OIL SEAL           CB 25 47 07   PV4                 1 *
*   415     66049           GASKET 3/704 ISS 3           PV4                 1 *
*   416     65400           G/BOX CASE BLUE.3/783 ISS 7                      1 *
*   417     71425           M6 S/COIL SQ SECT SPRING WASHER BS4464          6 *
*   418     71082           M6 X 55 HEX BOLT BS3692/DIN931 GR 8.8           6 *
*   419     71046           EXTERNAL CIRCLIP D1400 0250                     1 *
*   420     72990           GREASE           250 GRMS                    1 *
*   601     67650           HANDLE SV & HV (1.5) UK                          1 *
*   611     72411           OPERATING INSTR: HV RANGE                        1 *
*   613     72258           TUV GS LABEL P7/776 ISS 1                       1 *
*   700     77246           EXP VIEW SV & HV BASE PV5                        1 *
*   702     77126           EXP:VIEW MTR&G/BOX ISS 12                       2 *
*   703     72370           WIRING DIAGRAM, SV & HV 21/676 ISS1             1 *
*   704     77070           ASSY GUIDE PV5 230V UK 21/698 ISS 1             1 *
*****

```

Parts list for: 53500 HV380 1HP UK

Page No. 3

=====

```

*****
* Item No.      Product Code      Description                                     Quantity *
*****
*      801      77389                500/188 ISSUE 1 10/07/92                            1 *
*      801      77882                INTRO 500/378 ISS 1 03/05/02                        3 *
*      802      77512                MOD 1184 ISS 2 27/09/95                             1 *
*      802      77549                MOD 1235 ISS 2 19/08/96                             1 *
*      803      77550                MOD 1235 ISS 3 19/08/96                             1 *
*****

```

PARTS LIST COMPLETE.

The following Sub Assemblies are available for the HV380 1HP UK

=====

* 65412 G/BOX ASSY HS BLUE *

Comprising of the following item numbers:-

407, 408, 409, 410, 411, 412, 413, 414, 415, 416, 419, 420, 802,

* 65711 MTR & G/BOX 1HP 230V HS PV4 *

Comprising of the following item numbers:-

400, 401, 402, 403, 404, 405, 407, 408, 409, 410, 411, 412, 413, 414,
415, 416, 417, 418, 419, 420, 702, 802, 803,

* 65860 STARLOCK DRIVE S/A *

Comprising of the following item numbers:-

64, 65, 66, 67, 68, 801,

Parts list for: 53510 HV430 1.5HP UK

Page No. 1

```

*****
* Item No. Product Code Description Quantity *
*****
* 1 66359 MOTOR BAFFLE RING 21/684 ISS 3 2 *
* 2 70020 TERMINAL RED DVFP01-6.3F 3 *
* 3 70078 RING TERMINAL DVRL-5 8 *
* 4 66262 INS RING BASE 16/725 ISS 2 PV4 1 *
* 5 71168 M16 GRD 8 NYLON INSERT SELF LOCK NUT DIN 1 *
* 6 71164 M6 GRD 8 NYLON INSERT SELF LOCK NUT DIN9 1 *
* 7 66233 GAITER BUFFER 21/694 ISS 1 1 *
* 8 71423 M5 X 12.5 X 1 BRT STL WASHER BS4320 FORM 1 *
* 9 71350 10 X 1.1/4 POZI PAN HD S/TAP SCRWB AB ZIC 1 *
* 11 65221 PIVOT MTG BRKT 21/602 ISS 8 1 *
* 12 71012 M8 GRD 8 NYLON INSERT SELF LOCK NUT DIN9 4 *
* 13 71420 5/16 X 3/4 X 18G BRT PLAIN WASHER BS3410 4 *
* 14 71060 M8 X 35 HEX BOLT BS3692/DIN931 GR 8.8 4 *
* 15 65222 AXLE PV5 21/610 ISS 5 1 *
* 16 66192 WHEEL BUFFER WASHER P21/646 ISS 2 2 *
* 17 66357 WHEEL 200MM 20DIA AXLE BLACK 21/660 ISS1 2 *
* 18 65253 WAVE WASHER EPL 30 2 *
* 19 65238 AXLE END STOP 21/645 ISS 3 2 *
* 20 65258 M10 X 20.0 CSK SOCKET CAP SCREW 2 *
* 21 71441 1/4 SHAKEPROOF WASHER INTERNAL TEETH 2 *
* 22 71348 M6 X 40 STEEL POZI PAN SCREW ZINC/CLEAR 2 *
* 23 71399 M6 X 30 SOCKET SETSCREW BS4168 4 *
* 24 71395 M6 X 40 SOCKET SETSCREW BS4168 2 *
* 25 71427 WASHER TAB. 5/16 3 *
* 26 71010 5/16 SHAKEPROOF WASHER INTERNAL TEETH 3 *
* 27 65256 M8 X 30.0 HEXT BOLT 3 *
* 28 65042 KEY 7MX8MX13M 1 *
* 34 71046 EXTERNAL CIRCLIP D1400 0250 1 *
* 35 71084 M8 X 16 A2 STAINLESS STL HEX SETSCREW 4 *
* 36 71420 5/16 X 3/4 X 18G BRT PLAIN WASHER BS3410 4 *
* 37 66173 BRUSH GUARD 430 STD 21/605 ISS 2 1 *
* 38 71328 M5 X 16 STEEL POZI PAN SCRWB BS4183 ZINC 3 *
* 39 71008 2BA SHAKEPROOF WASHER INTERNAL TEETH 3 *
* 40 65225 LIFTING HANDLE 21/619 ISS 2 1 *
* 41 71375 M4 X 12 STEEL POZI PAN SCRWB ZINC & CLEAR 2 *
* 42 71428 M4 SHAKEPROOF WASHER INTERNAL TEETH 2 *
* 43 71328 M5 X 16 STEEL POZI PAN SCRWB BS4183 ZINC 2 *
* 44 71008 2BA SHAKEPROOF WASHER INTERNAL TEETH 2 *
* 45 66170 MACHINE COVER PV5 21/601 ISS 3 1 *
* 46 65260 GRABBER LATCH 21/690 ISS 1 2 *
* 47 66171 MOTOR LID PV5 21/603 ISS 2 1 *
* 48 72354 HV 430 MACHINE LABEL 21/665 ISS 2 1 *
* 50 72384 PV5 RATING PLATE BLANK 21/686 ISS 1 1 *
* 62 71402 M4 X 16 SUPA PAN TAPTITE MECH ZINC/ 1 *
* 64 65859 BRUSH DRIVE.16/933 ISS 6 STARLOCK DRIVE 1 *
* 65 65038 COMP SPRING 6/686 ISS 1 3 *
* 66 65041 BALL STAINLESS 1/4DIA 3 *
* 67 65543 LOCKING RING 16/934 ISS.2 S/LOCK 1 *
* 68 71472 EXTERNAL CIRCLIP D1400 0480 1 *
*****

```

Parts list for: 53510 HV430 1.5HP UK

Page No. 2

```

*****
* Item No.   Product Code   Description                               Quantity *
*****
*      69    65220           MAIN SUPPORT CASTING 21/631 ISS 6          1 *
*      77    65252           WAVE WASHER EPL 19                        2 *
*      78    71459           1/4 X 9/16 X 20G T3L 18/8 ST.ST WASHER    6 *
*      79    71164           M6 GRD 8 NYLON INSERT SELF LOCK NUT DIN9   6 *
*     110    65231           ELECTRIC MTG PLATE 21/635 ISS 6           1 *
*     111    67306           RELAY 240V P16/1178 ISS 1                 1 *
*     112    67143           CAPACITOR START 180-225MF P16/1094 IS2 1   1 *
*     113    65618           FIXING CLIP                                2 *
*     114    71392           M3 X 16 STEEL POZI PAN SCRW ZINC & CLEAR   2 *
*     115    71209           M3 GDE 8 NYLON INSERT SELF LOCK NUT DIN9   2 *
*     116    67042           CAPACITOR RUN 16MF P16/1129 ISS 1         1 *
*     117    66010           CABLE CLAMP BLK INT 6/678 ISS 8          1 *
*     118    71328           M5 X 16 STEEL POZI PAN SCRW BS4183 ZINC    2 *
*     119    71007           M4 X 10 SUPA PAN TAPTITE MECH ZINC/        8 *
*     120    67256           CONN LEAD BLK 1/601 ISS 7   PV4          1 *
*     134    70063           CABLE TIE      ALT-250M   PV4            2 *
*     135    71382A          M4 X 16 BRASS POZI PAN SCRW BS4183         1 *
*     136    71170           M4 BRASS HEX LOCK NUT BS4183              1 *
*     137    71207           M4 BRASS NYLON INSERT SELF LOCK NUT        1 *
*     138    71426           M4 X 9 X .8 BRASS WASHER BS4320 FORM A     2 *
*     139    71428           M4 SHAKEPROOF WASHER INTERNAL TEETH        1 *
*     140    71014           M4 X 9 X .8 BRT WASHER BS4320 FORM 4       2 *
*     400    67362           MOTOR FUD 8F 230V                          1 *
*     401    65044           KEY 5X5X13.5MM      6/842 ISS 1          1 *
*     402    65402           DRIVE PINION HS 3/785 ISS 8                1 *
*     403    71425           M6 S/COIL SQ SECT SPRING WASHER BS4464    1 *
*     404    71334           M6 X 35 8.8 SOCKET CAPSCREW DIN 912       1 *
*     405    66022           OIL SEAL      CB 32 47 07   PV4          1 *
*     407    71499           EXTERNAL CIRCLIP D1400 0230               3 *
*     408    71458           NYLON WASHER TO DRG 3/782/1 ISS 4          6 *
*     409    65405           PLANET GEAR HS 3/788 ISS 4                 3 *
*     410    65408           PLANET CARRIER HS. 3/778 ISS 2           1 *
*     411    65054           BEARING      6005 2RS                2 *
*     412    71429           WASHER WAVE      EPL 42                  1 *
*     413    71043           INTERNAL CIRCLIP D1300 0470               2 *
*     414    66134           OIL SEAL      CB 25 47 07   PV4          1 *
*     415    66049           GASKET 3/704 ISS 3      PV4            1 *
*     416    65400           G/BOX CASE BLUE.3/783 ISS 7               1 *
*     417    71425           M6 S/COIL SQ SECT SPRING WASHER BS4464    6 *
*     418    71082           M6 X 55 HEX BOLT BS3692/DIN931 GR 8.8     6 *
*     419    71046           EXTERNAL CIRCLIP D1400 0250               1 *
*     420    72990           GREASE      250 GRMS                    1 *
*     601    67652           HANDLE SV & HV (2.5) UK & EXP             1 *
*     610    52005           13AMP PLUG CRABTREE 7221                  1 *
*     611    72411           OPERATING INSTR: HV RANGE                  1 *
*     613    72258           TUV GS LABEL P7/776 ISS 1                 1 *
*     700    77246           EXP VIEW SV & HV BASE PV5                 1 *
*     702    77126           EXP:VIEW MTR&G/BOX ISS 12                 2 *
*     703    72370           WIRING DIAGRAM, SV & HV 21/676 ISS1       1 *
*****

```

Parts list for: 53510 HV430 1.5HP UK

Page No. 3

=====

```

*****
* Item No.      Product Code      Description                                     Quantity *
*****
*      704      77070              ASSY GUIDE PV5 230V UK 21/698 ISS 1                1 *
*      801      77389              500/188 ISSUE 1 10/07/92                          1 *
*      801      77882              INTRO 500/378 ISS 1 03/05/02                      3 *
*      802      77512              MOD 1184 ISS 2 27/09/95                          1 *
*      802      77549              MOD 1235 ISS 2 19/08/96                          1 *
*      803      77550              MOD 1235 ISS 3 19/08/96                          3 *
*****

```

PARTS LIST COMPLETE.

The following Sub Assemblies are available for the HV430 1.5HP UK

=====

* 65412 G/BOX ASSY HS BLUE *

Comprising of the following item numbers:-

407, 408, 409, 410, 411, 412, 413, 414, 415, 416, 419, 420, 802,

* 65721 MTR & G/BOX 1.5 HP 230V HS PV4 *

Comprising of the following item numbers:-

400, 401, 402, 403, 404, 405, 407, 408, 409, 410, 411, 412, 413, 414,
415, 416, 417, 418, 419, 420, 702, 802, 803,

* 65860 STARLOCK DRIVE S/A *

Comprising of the following item numbers:-

64, 65, 66, 67, 68, 801,

Parts list for: 53520 HV480 1.5HP UK

Page No. 1

```

*****
* Item No. Product Code Description Quantity *
*****
* 1 66359 MOTOR BAFFLE RING 21/684 ISS 3 2 *
* 2 70020 TERMINAL RED DVFP01-6.3F 3 *
* 3 70078 RING TERMINAL DVRL-5 8 *
* 4 66262 INS RING BASE 16/725 ISS 2 PV4 1 *
* 5 71168 M16 GRD 8 NYLON INSERT SELF LOCK NUT DIN 1 *
* 6 71164 M6 GRD 8 NYLON INSERT SELF LOCK NUT DIN9 1 *
* 7 66233 GAITER BUFFER 21/694 ISS 1 1 *
* 8 71423 M5 X 12.5 X 1 BRT STL WASHER BS4320 FORM 1 *
* 9 71350 10 X 1.1/4 POZI PAN HD S/TAP SCRWB AB ZIC 1 *
* 11 65221 PIVOT MTG BRKT 21/602 ISS 8 1 *
* 12 71012 M8 GRD 8 NYLON INSERT SELF LOCK NUT DIN9 4 *
* 13 71420 5/16 X 3/4 X 18G BRT PLAIN WASHER BS3410 4 *
* 14 71060 M8 X 35 HEX BOLT BS3692/DIN931 GR 8.8 4 *
* 15 65222 AXLE PV5 21/610 ISS 5 1 *
* 16 66192 WHEEL BUFFER WASHER P21/646 ISS 2 2 *
* 17 66357 WHEEL 200MM 20DIA AXLE BLACK 21/660 ISS1 2 *
* 18 65253 WAVE WASHER EPL 30 2 *
* 19 65238 AXLE END STOP 21/645 ISS 3 2 *
* 20 65258 M10 X 20.0 CSK SOCKET CAP SCREW 2 *
* 21 71441 1/4 SHAKEPROOF WASHER INTERNAL TEETH 2 *
* 22 71348 M6 X 40 STEEL POZI PAN SCREW ZINC/CLEAR 2 *
* 23 71399 M6 X 30 SOCKET SETSCREW BS4168 4 *
* 24 71395 M6 X 40 SOCKET SETSCREW BS4168 2 *
* 25 71427 WASHER TAB. 5/16 3 *
* 26 71010 5/16 SHAKEPROOF WASHER INTERNAL TEETH 3 *
* 27 65256 M8 X 30.0 HEXT BOLT 3 *
* 28 65042 KEY 7MX8MX13M 1 *
* 34 71046 EXTERNAL CIRCLIP D1400 0250 1 *
* 35 71084 M8 X 16 A2 STAINLESS STL HEX SETSCREW 4 *
* 36 71420 5/16 X 3/4 X 18G BRT PLAIN WASHER BS3410 4 *
* 37 66174 BRUSH GUARD 480 STD 21/606 ISS 2 1 *
* 38 71328 M5 X 16 STEEL POZI PAN SCRWB BS4183 ZINC 3 *
* 39 71008 2BA SHAKEPROOF WASHER INTERNAL TEETH 3 *
* 40 65225 LIFTING HANDLE 21/619 ISS 2 1 *
* 41 71375 M4 X 12 STEEL POZI PAN SCRWB ZINC & CLEAR 2 *
* 42 71428 M4 SHAKEPROOF WASHER INTERNAL TEETH 2 *
* 43 71328 M5 X 16 STEEL POZI PAN SCRWB BS4183 ZINC 2 *
* 44 71008 2BA SHAKEPROOF WASHER INTERNAL TEETH 2 *
* 45 66170 MACHINE COVER PV5 21/601 ISS 3 1 *
* 46 65260 GRABBER LATCH 21/690 ISS 1 2 *
* 47 66171 MOTOR LID PV5 21/603 ISS 2 1 *
* 48 72355 HV 480 MACHINE LABEL 21/666 ISS 2 1 *
* 50 72384 PV5 RATING PLATE BLANK 21/686 ISS 1 1 *
* 62 71402 M4 X 16 SUPA PAN TAPTITE MECH ZINC/ 1 *
* 64 65859 BRUSH DRIVE.16/933 ISS 6 STARLOCK DRIVE 1 *
* 65 65038 COMP SPRING 6/686 ISS 1 3 *
* 66 65041 BALL STAINLESS 1/4DIA 3 *
* 67 65543 LOCKING RING 16/934 ISS.2 S/LOCK 1 *
* 68 71472 EXTERNAL CIRCLIP D1400 0480 1 *
*****

```

Parts list for: 53520 HV480 1.5HP UK

Page No. 2

```

*****
* Item No.   Product Code   Description                               Quantity *
*****
*      69    65220          MAIN SUPPORT CASTING 21/631 ISS 6           1 *
*      77    65252          WAVE WASHER EPL 19                          2 *
*      78    71459          1/4 X 9/16 X 20G T3L 18/8 ST.ST WASHER      6 *
*      79    71164          M6 GRD 8 NYLON INSERT SELF LOCK NUT DIN9     6 *
*     110    65231          ELECTRIC MTG PLATE 21/635 ISS 6             1 *
*     111    67306          RELAY 240V P16/1178 ISS 1                   1 *
*     112    67143          CAPACITOR START 180-225MF P16/1094 IS2 1     1 *
*     113    65618          FIXING CLIP                                  2 *
*     114    71392          M3 X 16 STEEL POZI PAN SCRW ZINC & CLEAR     2 *
*     115    71209          M3 GDE 8 NYLON INSERT SELF LOCK NUT DIN9     2 *
*     116    67042          CAPACITOR RUN 16MF P16/1129 ISS 1           1 *
*     117    66010          CABLE CLAMP BLK INT 6/678 ISS 8             1 *
*     118    71328          M5 X 16 STEEL POZI PAN SCRW BS4183 ZINC      2 *
*     119    71007          M4 X 10 SUPA PAN TAPTITE MECH ZINC/          8 *
*     120    67256          CONN LEAD BLK 1/601 ISS 7   PV4            1 *
*     134    70063          CABLE TIE          ALT-250M   PV4            2 *
*     135    71382A         M4 X 16 BRASS POZI PAN HEAD SCRW BS4183      1 *
*     136    71170          M4 BRASS HEX LOCK NUT BS4183                1 *
*     137    71207          M4 BRASS NYLON INSERT SELF LOCK NUT         1 *
*     138    71426          M4 X 9 X .8 BRASS WASHER BS4320 FORM A       2 *
*     139    71428          M4 SHAKEPROOF WASHER INTERNAL TEETH         1 *
*     140    71014          M4 X 9 X .8 BRT WASHER BS4320 FORM 4        2 *
*     400    67362          MOTOR FUD 8F 230V                           1 *
*     401    65044          KEY 5X5X13.5MM          6/842 ISS 1           1 *
*     402    65402          DRIVE PINION HS 3/785 ISS 8                 1 *
*     403    71425          M6 S/COIL SQ SECT SPRING WASHER BS4464      1 *
*     404    71334          M6 X 35 8.8 SOCKET CAPSCREW DIN 912         1 *
*     405    66022          OIL SEAL      CB 32 47 07   PV4            1 *
*     407    71499          EXTERNAL CIRCLIP D1400 0230                 3 *
*     408    71458          NYLON WASHER TO DRG 3/782/1 ISS 4           6 *
*     409    65405          PLANET GEAR HS 3/788 ISS 4                  3 *
*     410    65408          PLANET CARRIER HS. 3/778 ISS 2             1 *
*     411    65054          BEARING          6005 2RS                2 *
*     412    71429          WASHER WAVE          EPL 42                  1 *
*     413    71043          INTERNAL CIRCLIP D1300 0470                 2 *
*     414    66134          OIL SEAL      CB 25 47 07   PV4            1 *
*     415    66049          GASKET 3/704 ISS 3          PV4            1 *
*     416    65400          G/BOX CASE BLUE.3/783 ISS 7                 1 *
*     417    71425          M6 S/COIL SQ SECT SPRING WASHER BS4464      6 *
*     418    71082          M6 X 55 HEX BOLT BS3692/DIN931 GR 8.8       6 *
*     419    71046          EXTERNAL CIRCLIP D1400 0250                 1 *
*     420    72990          GREASE          250 GRMS                    1 *
*     601    67653          HANDLE SV & HV (2.5) TCO UK & EXP           1 *
*     610    52005          13AMP PLUG CRABTREE 7221                    1 *
*     611    72411          OPERATING INSTR: HV RANGE                    1 *
*     613    72258          TUV GS LABEL P7/776 ISS 1                   1 *
*     700    77246          EXP VIEW SV & HV BASE PV5                    1 *
*     702    77126          EXP:VIEW MTR&G/BOX ISS 12                   2 *
*     703    72370          WIRING DIAGRAM, SV & HV 21/676 ISS1         1 *
*****

```

Parts list for: 53520 HV480 1.5HP UK

Page No. 3

=====

```

*****
* Item No.   Product Code   Description                                     Quantity *
*****
*      704   77070           ASSY GUIDE PV5 230V UK 21/698 ISS 1                1 *
*      801   77389           500/188 ISSUE 1 10/07/92                          1 *
*      801   77882           INTRO 500/378 ISS 1 03/05/02                      3 *
*      802   77512           MOD 1184 ISS 2 27/09/95                            1 *
*      802   77549           MOD 1235 ISS 2 19/08/96                            1 *
*      803   77550           MOD 1235 ISS 3 19/08/96                            3 *
*****

```

PARTS LIST COMPLETE.

The following Sub Assemblies are available for the HV480 1.5HP UK

=====

* 65412 G/BOX ASSY HS BLUE *

Comprising of the following item numbers:-

407, 408, 409, 410, 411, 412, 413, 414, 415, 416, 419, 420, 802,

* 65721 MTR & G/BOX 1.5 HP 230V HS PV4 *

Comprising of the following item numbers:-

400, 401, 402, 403, 404, 405, 407, 408, 409, 410, 411, 412, 413, 414,
415, 416, 417, 418, 419, 420, 702, 802, 803,

* 65860 STARLOCK DRIVE S/A *

Comprising of the following item numbers:-

64, 65, 66, 67, 68, 801,

```

*****
* Item No.   Product Code   Description                               Quantity *
*****
*   201     66080           HANDLE FRONT PV5 WET STD 21/642 ISS 3           1 *
*   202     72059           HANDLE LABEL WET STD 16/737 ISS 4             1 *
*   203     66046           SPACER BUSH 6/720 ISS 6 PV4                   2 *
*   204     71347           M6 X 16 STEEL POZI SCREW ZINC/CLEAR            6 *
*   205     71441           1/4 SHAKEPROOF WASHER INTERNAL TEETH          12 *
*   206     66002           OPERATING LEVER (SILVER) RH 6/671 ISS 9         1 *
*   207     66003           OPERATING LEVER (SILVER) LH 6/672 ISS 9         1 *
*   208     65021           SAFE LOCK PLUNGER (SILVER) 6/726 ISS 5         2 *
*   209     65022           SPRING LOCK PLUNGER 6/684 ISS 1                2 *
*   210     65023           PIVOT PIN 6/704 ISS 2                          3 *
*   211     65043           BALL STAINLESS 9MM DIA                         2 *
*   212     66081           HANDLE REAR PV5 WET STD 21/642/1 ISS 3          1 *
*   213     72010           HANDLE LABEL REAR 16/1198 ISS 2                1 *
*   215     71298           8 X 3/8 POZI PAN HD S/TAP SCRW AB ZINC/C      3 *
*   216     66011           CABLE CLAMP INT:6/679 ISS 2                   1 *
*   217     66005           TANK LEVER (BLACK) 6/674 ISS 10                1 *
*   218     66008           LEVER COVER PLATE 6/677 ISS 3                  2 *
*   219     65037           HANDLE LOCK SCREW 6/682 ISS 4                  2 *
*   220     67275           NEON GREEN P16/816 ISS 3                       1 *
*   221     70078           RING TERMINAL DVR1-5                           2 *
*   222     71345           M5 X 10 BRASS POZI PAN HEAD SCREW BS4183        3 *
*   223     65020           TERM CLAMP WASHER. 6/681 ISS 3                 3 *
*   224     65019           TERM CLAMP SCREW 6/680 ISS 2                  3 *
*   225     67011           RING TERMINAL DVR5.4L                           1 *
*   226     71426           M4 X 9 X .8 BRASS WASHER BS4320 FORM A          4 *
*   227     71170           M4 BRASS HEX LOCK NUT BS4183                   3 *
*   228     67267           CONN LEAD Y&G 1/601/6 ISS 7 PV4                1 *
*   229     71207           M4 BRASS NYLON INSERT SELF LOCK NUT            3 *
*   230     66043           INSULATION CAP 6/719 ISS 2 PV4                 1 *
*   231     70100           RING TERMINAL DR1-5                             2 *
*   232     66360           HANDLE GASKET PIECE 21/685 ISS 1                1 *
*   233     65518           CABLE TIE PLATE 6/844 ISS 3                    1 *
*   234     67265           CONN LEAD BRN 1/601/4 PV4                      1 *
*   235     67266           CONN LEAD BLU 1/601/5 PV4                      1 *
*   236     71328           M5 X 16 STEEL POZI PAN SCRW BS4183 ZINC        2 *
*   237     66010           CABLE CLAMP BLK INT 6/678 ISS 8                1 *
*   238     66007           JUNCT:BOX END PLATE^6/676^ISS 3                1 *
*   239     66012           GROMMET MAINS 16/1128 ISS 2                    1 *
*   240     70061           CORDSET 3X1.5X15MLG 3PIN PV4                   1 *
*   241     66053           CABLE GRIP 1.5MM 6/778 ISS 2                   1 *
*   242     65039           SPRING CABLE REST: 7/677 ISS 4                 1 *
*   243     66006           JUNCT: BOX COVER 6/675 ISS 3                   1 *
*   244     71348           M6 X 40 STEEL POZI PAN SCREW ZINC/CLEAR        1 *
*   245     71422           1/4 X 9/16 X 20G BRT STL WASHER TLB 3L        2 *
*   246     65029           SPRING CABLE CARRIER.16/931 ISS 2             1 *
*   247     66056           CABLE CARRIER 6/782 PV4                       1 *
*   248     65233           PIVOT PLUNGER CONN ROD 21/641 ISS 2            1 *
*   249     65259           M5 X 12.0 SOCKET SETSCREW DOG POINT            1 *
*   250     65227           LOCKING PLUNGER 21/622 ISS 4                    1 *
*****

```

```

*****
* Item No.   Product Code   Description                               Quantity *
*****
*   252     65242           PIVOT SPRING 21/647 ISS 3                   1 *
*   253     71057           M6 X 14 HEX SCREW BS3692/DIN933 GR 8.8     4 *
*   254     66404           CABLE GROMMET P18/663 ISS 2                 1 *
*   255     67012           CABLE INTERNAL 1.5X1.54 PV4                 1 *
*   257     71168           M16 GRD 8 NYLON INSERT SELF LOCK NUT DIN    1 *
*   258     71464           M16 X 30 X 2 BRT WASHER BS4320 FORM B ZN    1 *
*   259     65245           HANDLE TUBE CASTING 21/651 ISS 4            1 *
*   260     65224           PIVOT CASTING 21/620 ISS 8                  1 *
*   261     66175           PIVOT GAITER PV5 21/609 ISS 6               1 *
*   264     66004           RAKE ADJ LEVER (BLACK) 6/673 ISS 5          1 *
*   265     71166           M5 GRD 8 NYLON INSERT SELF LOCK NUT DIN9    1 *
*   266     71287           M4 X 10 STEEL POZI PAN SCREW ZINC & CLEA    1 *
*   267     67009           SWITCH D/POLE P16/1170 ISS 1                1 *
*   268     71351           NO.10 X 1 1/2 PZI PAN HD S/TAP SCREW        2 *
*   269     71348           M6 X 40 STEEL POZI PAN SCREW ZINC/CLEAR     2 *
*   270     71349           10 X 1 POZI PAN HD S/TAP SCRW AB ZINC/CL    4 *
*   297     66009           EARTH TERMINAL GUARD 16/1184 ISS.3         1 *
*   300     71043           INTERNAL CIRCLIP D1300 0470                 1 *
*   301     65460           PIVOT BEARING PV5 21/708 ISS 1              2 *
*   302     65461           SHIM 37 X 47 X 0.5                          1 *
*   303     65462           SHIM 20 X 28 X 0.5                          1 *
*   304     65250           PIVOT SHAFT 21/656 ISS 3                    1 *
*   305     71550           M8 X 16 ALAN KEY CSK SCREW                  1 *
*   306     65226           PIVOT GEAR 21/621 ISS 4                     1 *
*   701     77243           EXP VIEW SV & HV HANDLE PV5                 1 *
*   801     77882           INTRO 500/378 ISS 1 03/05/02               1 *
*   801     77881           INTRO 500/377 ISS 1 30/04/02               2 *
*****

```

PARTS LIST COMPLETE.

Parts list for:

67652A PARTS LIST FOR 67652

Page No. 1

```

*****
* Item No.   Product Code   Description                               Quantity *
*****
*   201     66080           HANDLE FRONT PV5 WET STD 21/642 ISS 3           1 *
*   202     72059           HANDLE LABEL WET STD 16/737 ISS 4             1 *
*   203     66046           SPACER BUSH 6/720 ISS 6      PV4             2 *
*   204     71347           M6 X 16 STEEL POZI SCREW ZINC/CLEAR           6 *
*   205     71441           1/4 SHAKEPROOF WASHER INTERNAL TEETH         12 *
*   206     66002           OPERATING LEVER (SILVER) RH 6/671 ISS 9         1 *
*   207     66003           OPERATING LEVER (SILVER) LH 6/672 ISS 9         1 *
*   208     65021           SAFE LOCK PLUNGER (SILVER) 6/726 ISS 5         2 *
*   209     65022           SPRING LOCK PLUNGER 6/684 ISS 1               2 *
*   210     65023           PIVOT PIN 6/704 ISS 2                       3 *
*   211     65043           BALL STAINLESS 9MM DIA                       2 *
*   212     66081           HANDLE REAR PV5 WET STD 21/642/1 ISS 3         1 *
*   213     72010           HANDLE LABEL REAR 16/1198 ISS 2              1 *
*   215     71298           8 X 3/8 POZI PAN HD S/TAP SCRW AB ZINC/C      3 *
*   216     66011           CABLE CLAMP INT:6/679 ISS 2                  1 *
*   217     66005           TANK LEVER (BLACK) 6/674 ISS 10              1 *
*   218     66008           LEVER COVER PLATE 6/677 ISS 3               2 *
*   219     65037           HANDLE LOCK SCREW 6/682 ISS 4               2 *
*   220     67275           NEON GREEN P16/816 ISS 3                    1 *
*   221     70078           RING TERMINAL DVR1-5                        2 *
*   222     71345           M5 X 10 BRASS POZI PAN HEAD SCREW BS4183      3 *
*   223     65020           TERM CLAMP WASHER. 6/681 ISS 3              3 *
*   224     65019           TERM CLAMP SCREW 6/680 ISS 2               3 *
*   225     67011           RING TERMINAL DVR5.4L                      1 *
*   226     71426           M4 X 9 X .8 BRASS WASHER BS4320 FORM A       4 *
*   227     71170           M4 BRASS HEX LOCK NUT BS4183                3 *
*   228     67267           CONN LEAD Y&G 1/601/6 ISS 7 PV4            1 *
*   229     71207           M4 BRASS NYLON INSERT SELF LOCK NUT        3 *
*   230     66043           INSULATION CAP 6/719 ISS 2 PV4             1 *
*   231     70100           RING TERMINAL DR1-5                        2 *
*   232     66360           HANDLE GASKET PIECE 21/685 ISS 1            1 *
*   233     65518           CABLE TIE PLATE 6/844 ISS 3                1 *
*   234     67265           CONN LEAD BRN 1/601/4 PV4                  1 *
*   235     67266           CONN LEAD BLU 1/601/5 PV4                  1 *
*   236     71328           M5 X 16 STEEL POZI PAN SCRW BS4183 ZINC      2 *
*   237     66010           CABLE CLAMP BLK INT 6/678 ISS 8            1 *
*   238     66007           JUNCT:BOX END PLATE^6/676^ISS 3            1 *
*   239     66012           GROMMET MAINS 16/1128 ISS 2               1 *
*   240     70055           3 CORE CABLE 2.5MM X 15M 16/739 ISS 2      1 *
*   241     66054           CABLE GRIP 2.5MM 6/779 PV4                1 *
*   242     65039           SPRING CABLE REST: 7/677 ISS 4            1 *
*   243     66006           JUNCT: BOX COVER 6/675 ISS 3              1 *
*   244     71348           M6 X 40 STEEL POZI PAN SCREW ZINC/CLEAR      1 *
*   245     71422           1/4 X 9/16 X 20G BRT STL WASHER TLB 3L      2 *
*   246     65029           SPRING CABLE CARRIER.16/931 ISS 2         1 *
*   247     66056           CABLE CARRIER 6/782 PV4                  1 *
*   248     65233           PIVOT PLUNGER CONN ROD 21/641 ISS 2         1 *
*   249     65259           M5 X 12.0 SOCKET SETSCREW DOG POINT         1 *
*   250     65227           LOCKING PLUNGER 21/622 ISS 4              1 *
*****

```

```

*****
* Item No.   Product Code   Description                               Quantity *
*****
*   252     65242           PIVOT SPRING 21/647 ISS 3                 1 *
*   253     71057           M6 X 14 HEX SCREW BS3692/DIN933 GR 8.8    4 *
*   254     66404           CABLE GROMMET P18/663 ISS 2               1 *
*   255     67012           CABLE INTERNAL 1.5X1.54 PV4              1 *
*   257     71168           M16 GRD 8 NYLON INSERT SELF LOCK NUT DIN  1 *
*   258     71464           M16 X 30 X 2 BRT WASHER BS4320 FORM B ZN   1 *
*   259     65245           HANDLE TUBE CASTING 21/651 ISS 4          1 *
*   260     65224           PIVOT CASTING 21/620 ISS 8               1 *
*   261     66175           PIVOT GAITER PV5 21/609 ISS 6            1 *
*   264     66004           RAKE ADJ LEVER (BLACK) 6/673 ISS 5       1 *
*   265     71166           M5 GRD 8 NYLON INSERT SELF LOCK NUT DIN9  1 *
*   266     71287           M4 X 10 STEEL POZI PAN SCREW ZINC & CLEA  1 *
*   267     67009           SWITCH D/POLE P16/1170 ISS 1            1 *
*   268     71351           NO.10 X 1 1/2 PZI PAN HD S/TAP SCREW     2 *
*   269     71348           M6 X 40 STEEL POZI PAN SCREW ZINC/CLEAR   2 *
*   270     71349           10 X 1 POZI PAN HD S/TAP SCRW AB ZINC/CL  4 *
*   297     66009           EARTH TERMINAL GUARD 16/1184 ISS.3       1 *
*   300     71043           INTERNAL CIRCLIP D1300 0470             1 *
*   301     65460           PIVOT BEARING PV5 21/708 ISS 1          2 *
*   302     65461           SHIM 37 X 47 X 0.5                      1 *
*   303     65462           SHIM 20 X 28 X 0.5                      1 *
*   304     65250           PIVOT SHAFT 21/656 ISS 3                1 *
*   305     71550           M8 X 16 ALAN KEY CSK SCREW              1 *
*   306     65226           PIVOT GEAR 21/621 ISS 4                 1 *
*   701     77243           EXP VIEW SV & HV HANDLE PV5             1 *
*   801     77881           INTRO 500/377 ISS 1 30/04/02           2 *
*   801     77882           INTRO 500/378 ISS 1 03/05/02           1 *
*****

```

PARTS LIST COMPLETE.

```

*****
* Item No.   Product Code   Description                               Quantity *
*****
*   201     66083          HANDLE FRONT PV5 STD TCO 21/696 ISS 1           1 *
*   202     72022          HANDLE LABEL WET TCO 16/738 ISS 4             1 *
*   203     66046          SPACER BUSH 6/720 ISS 6 PV4                   2 *
*   204     71347          M6 X 16 STEEL POZI SCREW ZINC/CLEAR           6 *
*   205     71441          1/4 SHAKEPROOF WASHER INTERNAL TEETH        12 *
*   206     66002          OPERATING LEVER (SILVER) RH 6/671 ISS 9         1 *
*   207     66003          OPERATING LEVER (SILVER) LH 6/672 ISS 9         1 *
*   208     65021          SAFE LOCK PLUNGER (SILVER) 6/726 ISS 5         2 *
*   209     65022          SPRING LOCK PLUNGER 6/684 ISS 1               2 *
*   210     65023          PIVOT PIN 6/704 ISS 2                         3 *
*   211     65043          BALL STAINLESS 9MM DIA                       2 *
*   212     66081          HANDLE REAR PV5 WET STD 21/642/1 ISS 3         1 *
*   213     72010          HANDLE LABEL REAR 16/1198 ISS 2               1 *
*   215     71298          8 X 3/8 POZI PAN HD S/TAP SCRW AB ZINC/C      3 *
*   216     66011          CABLE CLAMP INT:6/679 ISS 2                  1 *
*   217     66005          TANK LEVER (BLACK) 6/674 ISS 10              1 *
*   218     66008          LEVER COVER PLATE 6/677 ISS 3                2 *
*   219     65037          HANDLE LOCK SCREW 6/682 ISS 4                2 *
*   220     67275          NEON GREEN P16/816 ISS 3                     1 *
*   221     70078          RING TERMINAL DVR1-5                         2 *
*   222     71345          M5 X 10 BRASS POZI PAN HEAD SCREW BS4183      3 *
*   223     65020          TERM CLAMP WASHER. 6/681 ISS 3               3 *
*   224     65019          TERM CLAMP SCREW 6/680 ISS 2                3 *
*   225     67011          RING TERMINAL DVR5.4L                        1 *
*   226     71426          M4 X 9 X .8 BRASS WASHER BS4320 FORM A       4 *
*   227     71170          M4 BRASS HEX LOCK NUT BS4183                 3 *
*   228     67267          CONN LEAD Y&G 1/601/6 ISS 7 PV4              1 *
*   229     71207          M4 BRASS NYLON INSERT SELF LOCK NUT         3 *
*   230     66043          INSULATION CAP 6/719 ISS 2 PV4              1 *
*   231     70100          RING TERMINAL DR1-5                          2 *
*   232     66360          HANDLE GASKET PIECE 21/685 ISS 1             1 *
*   233     65518          CABLE TIE PLATE 6/844 ISS 3                  1 *
*   234     67265          CONN LEAD BRN 1/601/4 PV4                   1 *
*   235     67266          CONN LEAD BLU 1/601/5 PV4                   1 *
*   236     71328          M5 X 16 STEEL POZI PAN SCRW BS4183 ZINC      2 *
*   237     66010          CABLE CLAMP BLK INT 6/678 ISS 8              1 *
*   238     66007          JUNCT:BOX END PLATE^6/676^ISS 3             1 *
*   239     66012          GROMMET MAINS 16/1128 ISS 2                 1 *
*   240     70055          3 CORE CABLE 2.5MM X 15M 16/739 ISS 2       1 *
*   241     66054          CABLE GRIP 2.5MM 6/779 PV4                  1 *
*   242     65039          SPRING CABLE REST: 7/677 ISS 4              1 *
*   243     66006          JUNCT: BOX COVER 6/675 ISS 3                1 *
*   244     71348          M6 X 40 STEEL POZI PAN SCREW ZINC/CLEAR      1 *
*   245     71422          1/4 X 9/16 X 20G BRT STL WASHER TLB 3L      2 *
*   246     65029          SPRING CABLE CARRIER.16/931 ISS 2          1 *
*   247     66056          CABLE CARRIER 6/782 PV4                   1 *
*   248     65233          PIVOT PLUNGER CONN ROD 21/641 ISS 2          1 *
*   249     65259          M5 X 12.0 SOCKET SETSCREW DOG POINT          1 *
*   250     65227          LOCKING PLUNGER 21/622 ISS 4                 1 *
*****

```

```

*****
* Item No.   Product Code   Description                               Quantity *
*****
*   252     65242           PIVOT SPRING 21/647 ISS 3                 1 *
*   253     71057           M6 X 14 HEX SCREW BS3692/DIN933 GR 8.8    4 *
*   254     66404           CABLE GROMMET P18/663 ISS 2               1 *
*   255     67012           CABLE INTERNAL 1.5X1.54 PV4              1 *
*   257     71168           M16 GRD 8 NYLON INSERT SELF LOCK NUT DIN  1 *
*   258     71464           M16 X 30 X 2 BRT WASHER BS4320 FORM B ZN   1 *
*   259     65245           HANDLE TUBE CASTING 21/651 ISS 4          1 *
*   260     65224           PIVOT CASTING 21/620 ISS 8                1 *
*   261     66175           PIVOT GAITER PV5 21/609 ISS 6             1 *
*   264     66004           RAKE ADJ LEVER (BLACK) 6/673 ISS 5        1 *
*   265     71166           M5 GRD 8 NYLON INSERT SELF LOCK NUT DIN9  1 *
*   266     71287           M4 X 10 STEEL POZI PAN SCREW ZINC & CLEA  1 *
*   267     67009           SWITCH D/POLE P16/1170 ISS 1              1 *
*   268     71351           NO.10 X 1 1/2 PZI PAN HD S/TAP SCREW      2 *
*   269     71348           M6 X 40 STEEL POZI PAN SCREW ZINC/CLEAR   2 *
*   270     71349           10 X 1 POZI PAN HD S/TAP SCRW AB ZINC/CL  4 *
*   271     71390           8 X 5/8 POZI CSK HD S/TP SCRW AB ZINC     2 *
*   272     66165           RUBBER CAP T/SW 6/829 ISS 2 PV4           1 *
*   273     67269           THERMAL CUT OUT P16/1086                  1 *
*   274     66437           HEXAGON SPACER P16/1087 ISS 2             2 *
*   275     70008           TERMINAL DVPOA1-6.3                       1 *
*   276     67262           CONN LEAD BRN 1/601/1 UHV                 1 *
*   297     66009           EARTH TERMINAL GUARD 16/1184 ISS.3        1 *
*   300     71043           INTERNAL CIRCLIP D1300 0470               1 *
*   301     65460           PIVOT BEARING PV5 21/708 ISS 1            2 *
*   302     65461           SHIM 37 X 47 X 0.5                         1 *
*   303     65462           SHIM 20 X 28 X 0.5                         1 *
*   304     65250           PIVOT SHAFT 21/656 ISS 3                  1 *
*   305     71550           M8 X 16 ALAN KEY CSK SCREW                 1 *
*   306     65226           PIVOT GEAR 21/621 ISS 4                    1 *
*   701     77243           EXP VIEW SV & HV HANDLE PV5               1 *
*   801     77882           INTRO 500/378 ISS 1 03/05/02             1 *
*   801     77881           INTRO 500/377 ISS 1 30/04/02             2 *
*****

```

PARTS LIST COMPLETE.

Premiere Products Machine Division

Oakley Gardens, Bouncers Lane,
Cheltenham, Glos, GL52 5JD.
Tel: +44 (0) 1242 243421 Fax: +44 (0) 1242 528445

INTRODUCTION

ISSUE 1: 500/379 (03:05:02)

MODIFICATIONS

DRAWN

JRH

DATE

11:02:02

APPROVED

DAB

DATE

01:07:02

DESCRIPTION

**SV & HV
PV5 SERIES
BASE EXP VIEW**

SHEET

1

OF

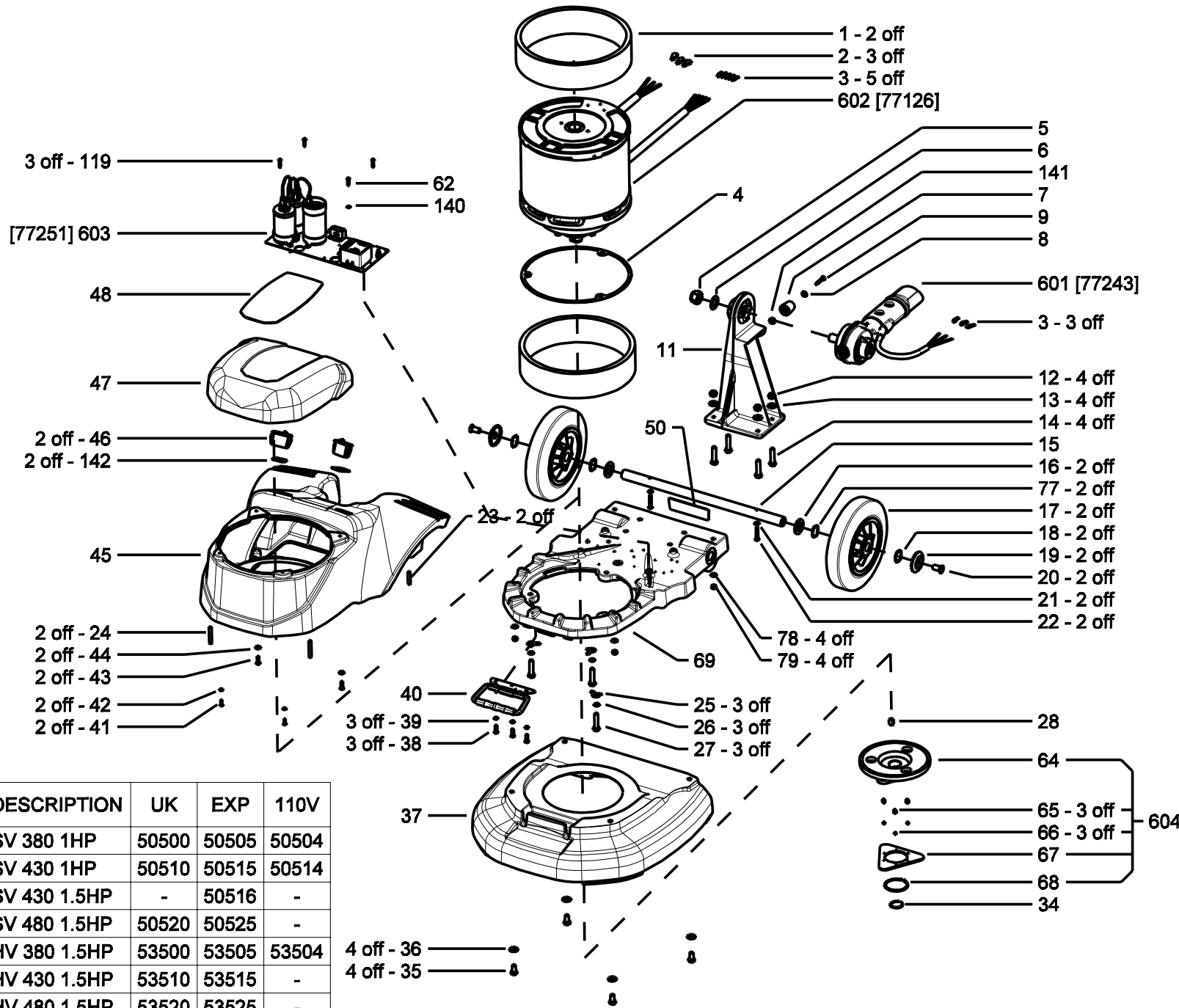
1

EXP VIEW

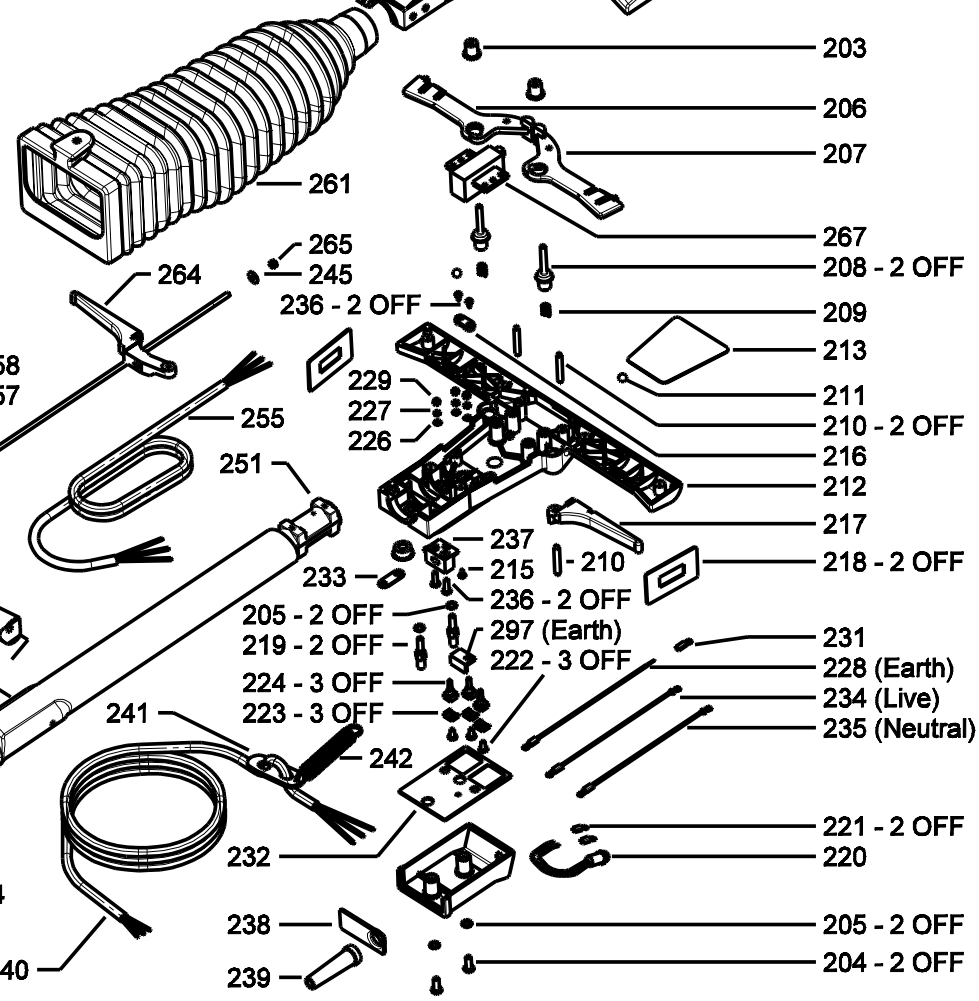
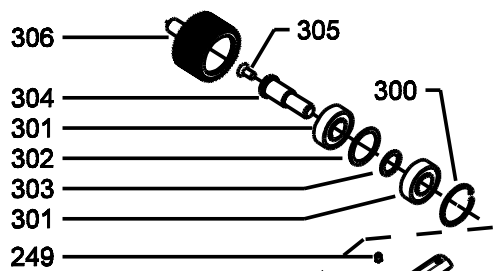
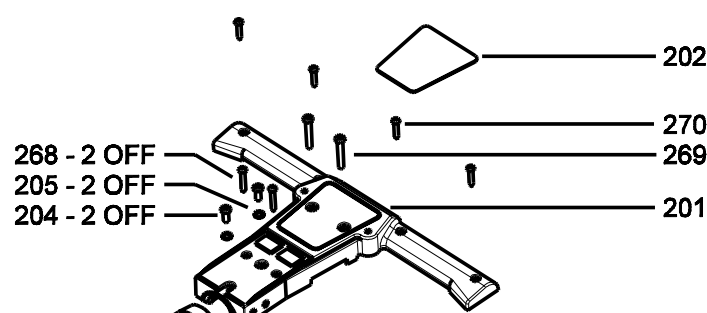
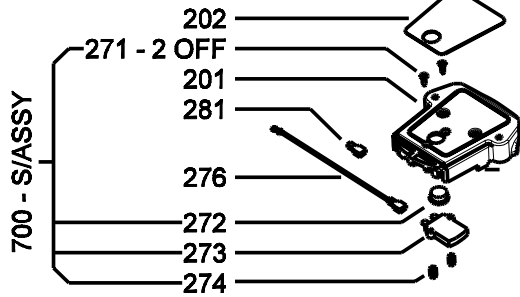
77246

ISSUE

1



OPTIONAL THERMAL CUT-OUT ASSEMBLY



**Premiere Products
Machine Division**

Oakley Gardens, Bouncers Lane,
Cheltenham, Glos, GL52 5JD.
Tel: +44 (0) 1242 243421 Fax: +44 (0) 1242 528445

INTRODUCTION

ISSUE 1: 500/377 (30:04:02)

MODIFICATIONS

DRAWN	DATE
JRH	20:06:02

APPROVED	DATE
DAB	10:07:02

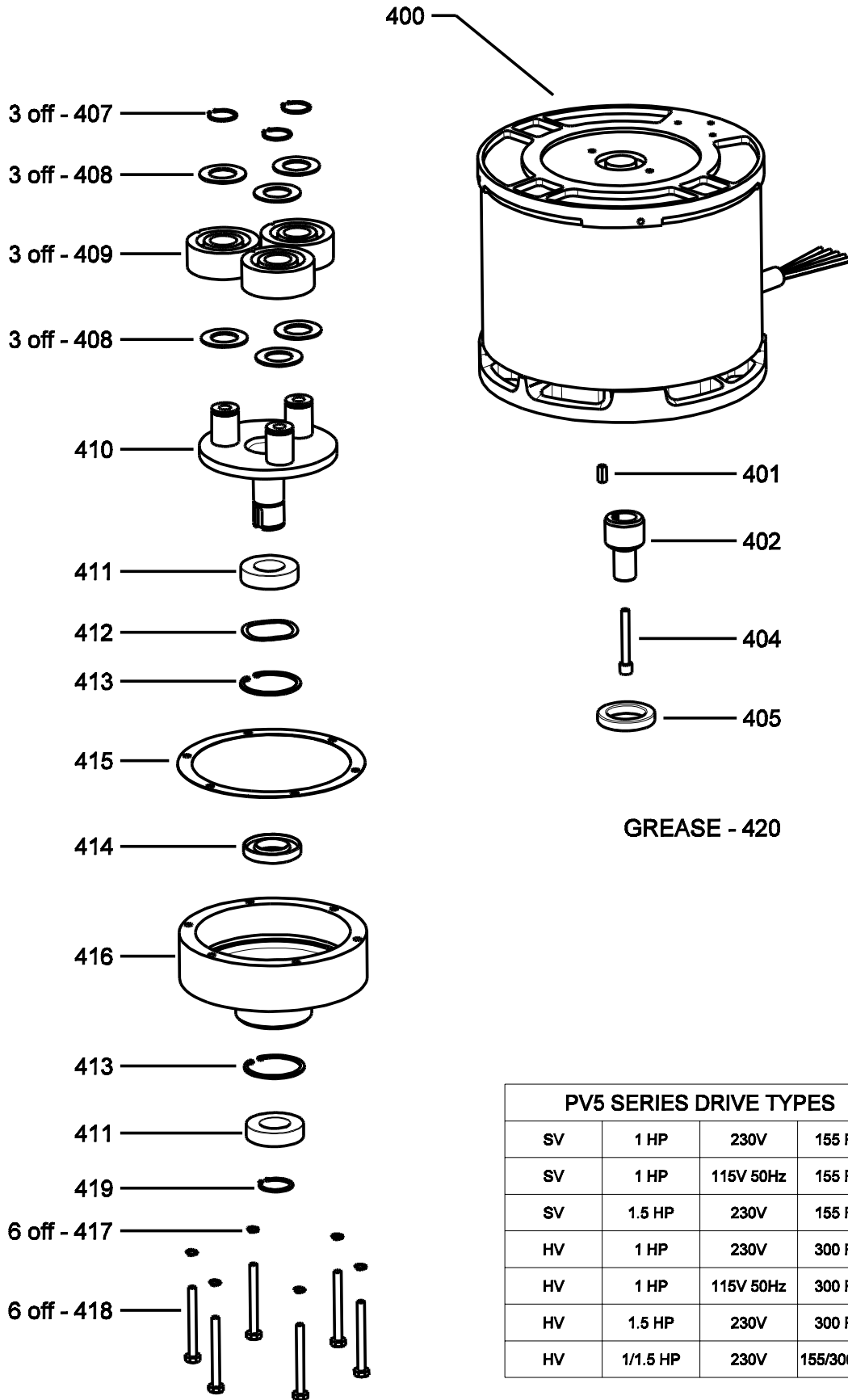
DESCRIPTION

SV & HV HANDLE

DESCRIPTION	UK	EXP	110V
SV & HV (1.5)	67650	67651	-
SV & HV (2.5)	67652	67652	67654
SV & HV (2.5T)	67653	67653	-

SHEET	OF
1	1

EXP VIEW	ISSUE
77243	1



PV5 SERIES DRIVE TYPES				MTR & G/BOX	G/BOX ONLY
SV	1 HP	230V	155 RPM	65718	65394
SV	1 HP	115V 50Hz	155 RPM	65697	65394
SV	1.5 HP	230V	155 RPM	65719	65394
HV	1 HP	230V	300 RPM	65711	65412
HV	1 HP	115V 50Hz	300 RPM	65704	65412
HV	1.5 HP	230V	300 RPM	65721	65412
HV	1/1.5 HP	230V	155/300 RPM	65729	65394

**Premiere Products
 Machine Division**
 Oakley Gardens, Bouncers Lane,
 Cheltenham, GL52 5JD.
 +44 (0) 1242 243421 Fax: (0) 1242 528445

DRAWN
JRH
 DATE
27:06:02

CHECKED
DAB
 DATE
02:07:02

MOTOR & G/BOX

ISSUE **1**

Page **1** Of **1**

Exp. View. **77252**

ELECTRICAL SPARES REPLACEMENT INSTRUCTIONS: PV5 Series SV & HV

PLEASE READ BEFORE FITTING OF REPLACEMENT PART

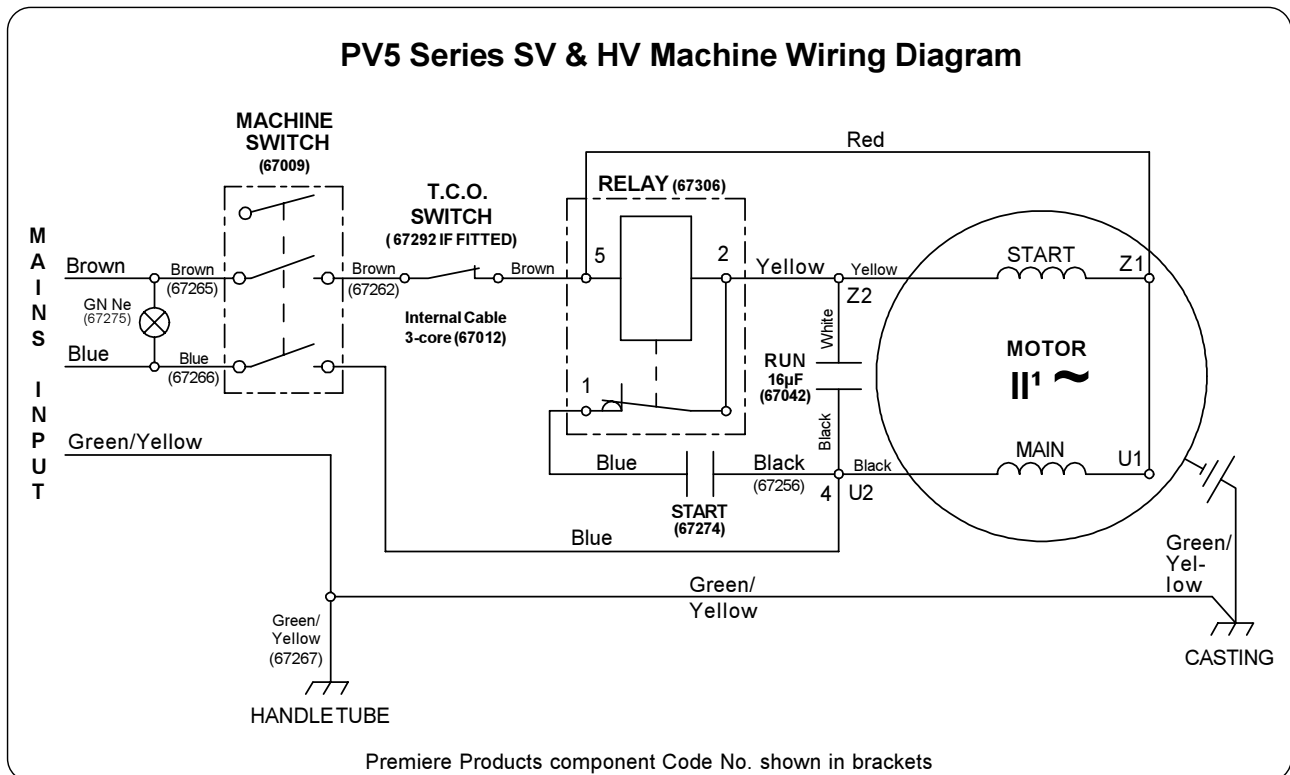
Thank you for purchasing this original replacement part. Before fitting, machine users must ensure the following:-

1. Replacement part is fitted by a qualified service engineer only.
2. Clear reference is made to the wiring diagram detailed below.
3. All test instructions are carried out as detailed below, before returning the electrical appliance to the work place.

Should you require further assistance please contact Premiere Products Machine Division Service department.

Failure to follow the above instructions may affect your rights in law.

WARNING: Before undertaking any repair or disassembly of machines ensure that it is disconnected from the mains.



IMPORTANT: Electrical Safety Tests

Upon completion of service and repair work and before returning the electrical appliance to the work place, the following testing for electrical safety must be undertaken.

1. Earth Bond Resistance (Class I only).

Resistance max. = $(0.1 + R)$ Ohms

Where R = Resistance of supply cord earth wire.

2. Insulation Flash Test.

Class I appliance 1375 Volts AC for 6 secs. (Alternatively 1250 Volts AC for 10 secs.)

Class II appliance 4125 Volts AC for 6 secs. (Alternatively 3750 Volts AC for 10 secs.)



Premiere Products (Machine Division)
Oakley Gardens, Bouncers Lane, Cheltenham, Glos. GL52 5JD, England
Telephone: (01242) 537150 Fax: (01242) 528445